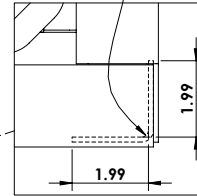


REINFORCEMENT ANGLE INSTALLED IN  
RIGHT AND LEFT BOTTOM CORNERS

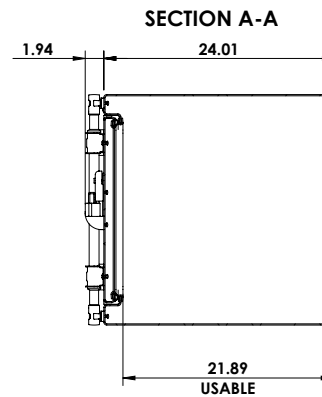
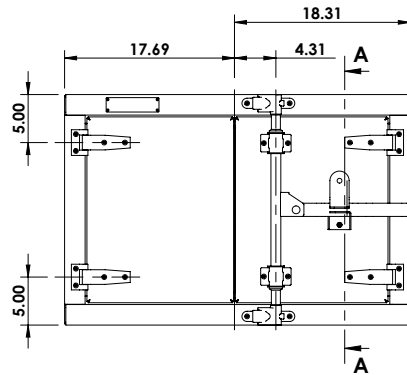
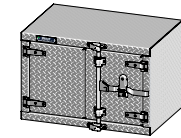
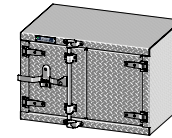


DETAIL B  
SCALE 1 : 5

AVAILABLE CONFIGURATIONS


OPEN LEFT

OPEN RIGHT (SHOWN)



REVISIONS		
REV.	DESCRIPTION	DATE
1	INITIAL RELEASE	01/12/2017

Dimensions are in inches unless otherwise specified	PART NO: <b>TR2436P</b>	MATERIAL: <b>0.125 Alum. Checkerplate 3003-H14</b>	REV: <b>1</b>		This Document is the sole property of <b>Trebor Manufacturing</b>
	DESCR: <b>24D" x 24H" x 36W" Under body tool box w/2 doors Right hand, Compression cam lock</b>	APROX. WEIGHT: <b>79.94 LB</b>	USABLE VOL.: <b>10.86 CU. FT.</b>		
TOLERANCES: <b>.xx ± 0.13" .xxx ± 0.010"</b>			SHEET SCALE: <b>1:20</b>	SHEET SIZE: <b>8.5" x 11"</b>	PAGE: <b>1 OF 1</b>