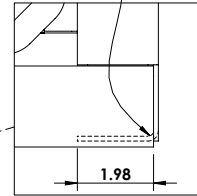
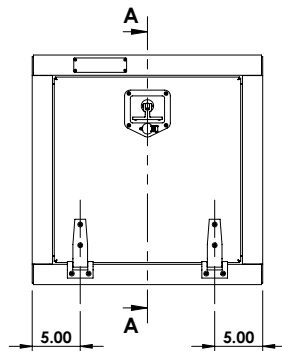


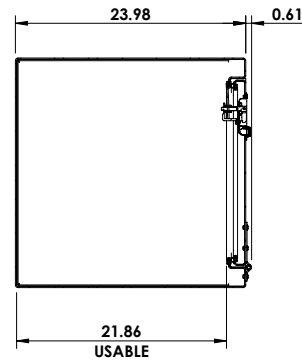
REINFORCEMENT FLANGE FORMED INTO RIGHT AND LEFT BOTTOM CORNERS



DETAIL B  
SCALE 1 : 5



SECTION A-A



AVAILABLE CONFIGURATIONS	
OPEN LEFT	OPEN RIGHT
OPEN DOWN(SHOWN)	OPEN UP

REVISIONS		
REV.	DESCRIPTION	DATE
1	INITIAL RELEASE	01/12/2017

Dimensions are in inches unless otherwise specified	PARTNO: <b>TRIDPL2424</b>	MATERIAL: <b>0.125 Alum. Plain 3003-H14</b>	REV: <b>1</b>		This Document is the sole property of <b>Trebor Manufacturing</b>
	DESCR: <b>24D" x 24H" x 24W" Under body tool box w/1 door Down hand , Locking t-handle</b>	APOX. WEIGHT: <b>51.38 LB</b>	USABLE VOL.: <b>7.18 CU. FT.</b>		
TOLERANCES: <b>.xx ± 0.13" .xxx ± 0.010"</b>			SHEET SCALE: <b>1:20</b>	SHEET SIZE: <b>8.5" x 11"</b>	PAGE: <b>1 OF 1</b>