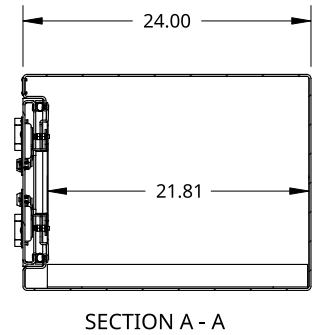
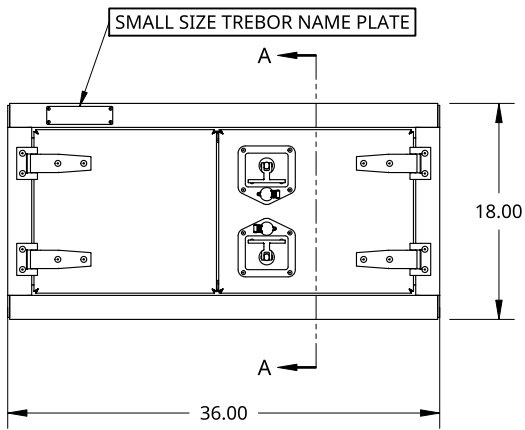
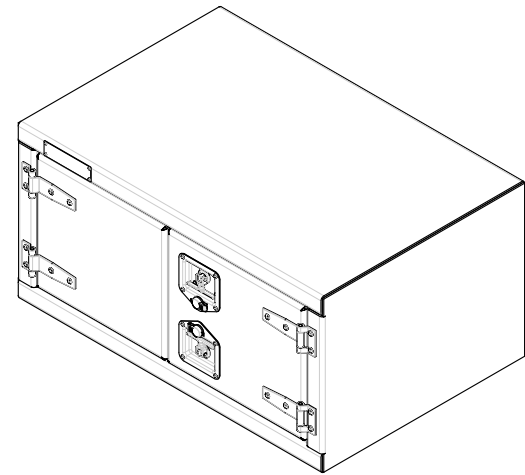
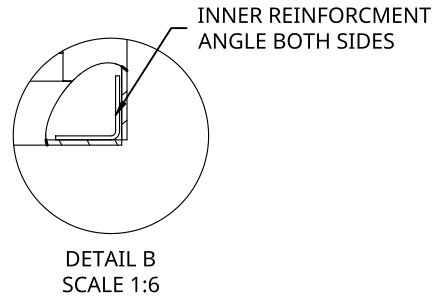
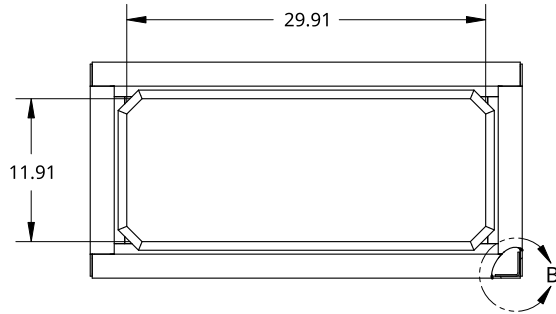


2

1



<small>THIS DOCUMENT IS THE PROPERTY OF TREBOR MANUFACTURING. ANY UNAUTHORIZED REPRODUCTION WILL BE PROSECUTED TO THE FULL EXTENT OF THE LAW</small>				PART NO. TR1836		REV. A
<small>UNLESS OTHERWISE SPECIFIED, DIMENSIONS ARE IN INCHES .XX = ±.1- ANGULAR = ±1° .XXX = ±.015- FRACTIONAL = ±1/8 .XXXX = ±.005-</small>		DRAWN BY SHAWN CROCKER 08/02/2021 CHANGED BY SHAWN CROCKER 01/26/2023	TWO DOOR RECESSED DOOR TOOL BOX - 24 X 18 X 36 - T-HANDLE - OPEN RIGHT			
THIRD ANGLE PROJECTION 		MATERIAL 1/8 ALU CHECKER		SIZE A	DWG NO. D25674	REV. A
		SCALE 1:16	WEIGHT 64.62 LB	SHEET 1 of 1		

2

1

B

B

A

A