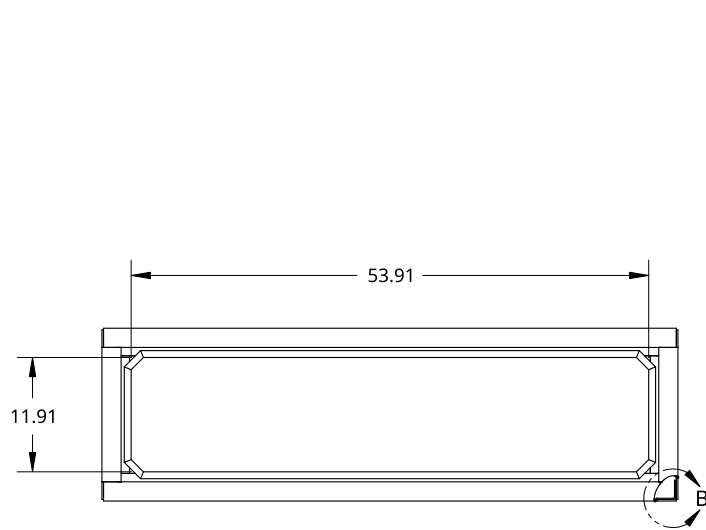


2

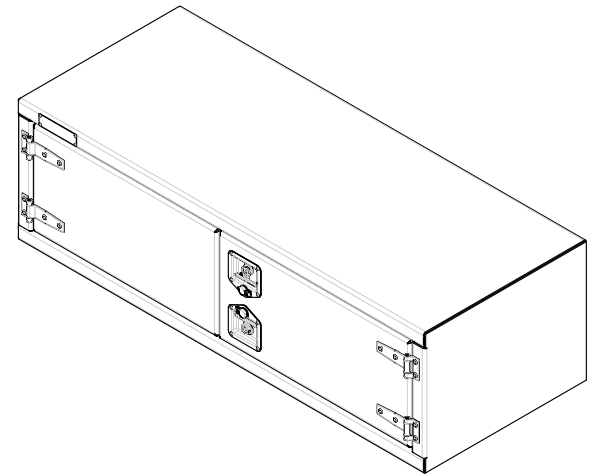
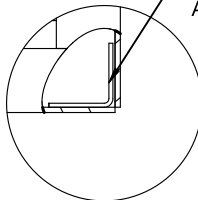
1

B

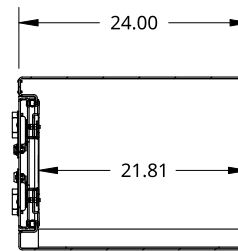
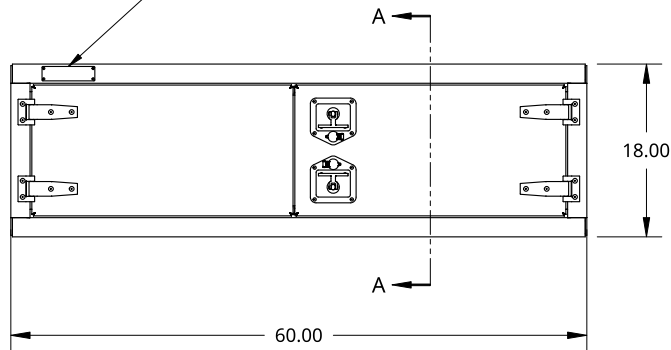
B



INNER REINFORCEMENT
ANGLE BOTH SIDES




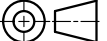
SMALL SIZE TREBOR NAME PLATE



SECTION A - A

A

A

<small>THIS DOCUMENT IS THE PROPERTY OF TREBOR MANUFACTURING. ANY UNAUTHORIZED REPRODUCTION WILL BE PROSECUTED TO THE FULL EXTENT OF THE LAW</small>				PART NO. TR1860	REV. A
<small>UNLESS OTHERWISE SPECIFIED, DIMENSIONS ARE IN INCHES .XX = ±.1- .XXX = ±.015- .XXXX = ±.005-</small>		<small>ANGULAR = ±1° FRACTIONAL = ±1/8</small>		TWO DOOR RECESSED DOOR TOOL BOX - 24 X 18 X 60 - T-HANDLE - OPEN RIGHT	
THIRD ANGLE PROJECTION 		MATERIAL 1/8 ALU CHECKER		SIZE A	DWG. NO. D25676
		SCALE 1:20	WEIGHT 94.29 LB	SHEET 1 of 1	REV. A

2

1