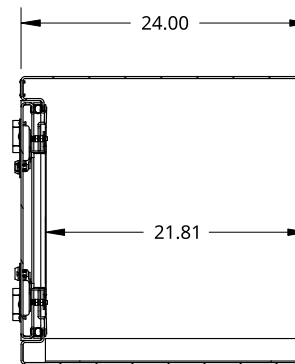
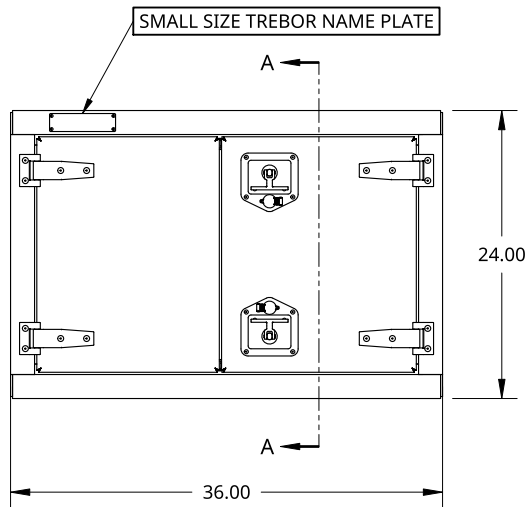
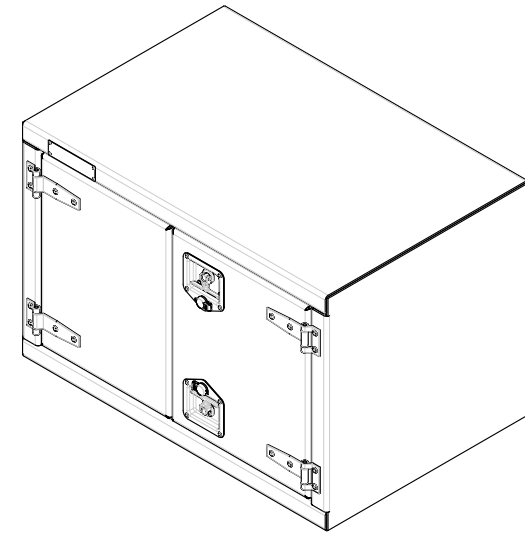
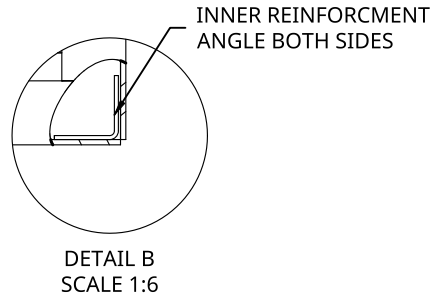
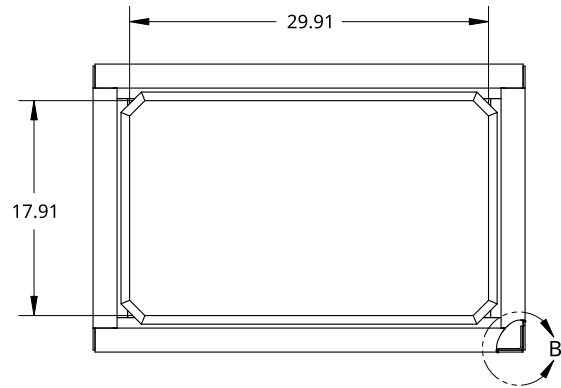




2

1



SECTION A - A

| | | | | | | |
|---|--|---|---|------------------------------------|---|---------------|
| <small>THIS DOCUMENT IS THE PROPERTY OF TREBOR MANUFACTURING. ANY UNAUTHORIZED REPRODUCTION WILL BE PROSECUTED TO THE FULL EXTENT OF THE LAW</small> | |  | | PART NO. TR2436 | | REV. B |
| <small>UNLESS OTHERWISE SPECIFIED, DIMENSIONS ARE IN INCHES</small> <small>.XX = ±.1- ANGULAR = ±1°</small> <small>.XXX = ±.015- FRACTIONAL = ±1/8</small> <small>.XXXX = ±.005- DECIMAL = ±.0005</small> | | <small>DRAWN BY</small> SHAWN CROCKER | <small>CHANGED BY</small> SHAWN CROCKER | <small>09/29/2021</small> | <small>TWO DOOR RECESSED DOOR TOOL BOX - 24 X 24 X 36 - T-HANDLE - OPEN RIGHT</small> | |
| <small>THIRD ANGLE PROJECTION</small>  | | <small>MATERIAL</small> 1/8 ALU CHECKER | | <small>SIZE</small> A | <small>DWG NO.</small> D25677 | REV. A |
| | | <small>SCALE</small> 1:16 | <small>WEIGHT</small> 75.24 LB | <small>SHEET</small> 1 of 1 | | |

2

1

B

B

A

A