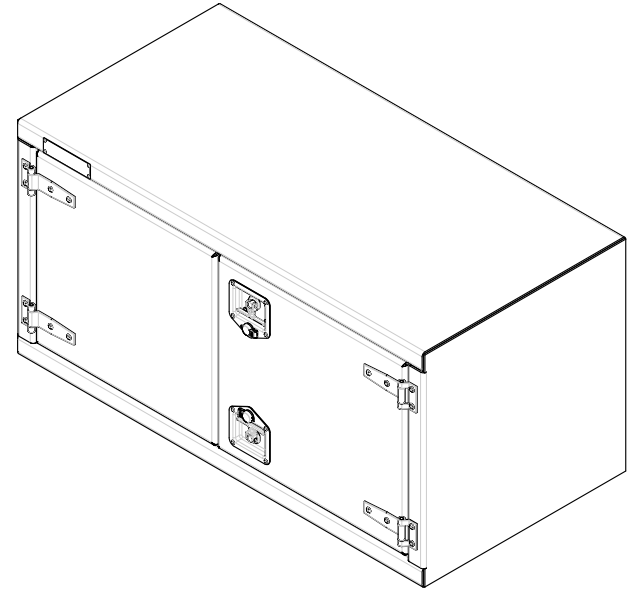
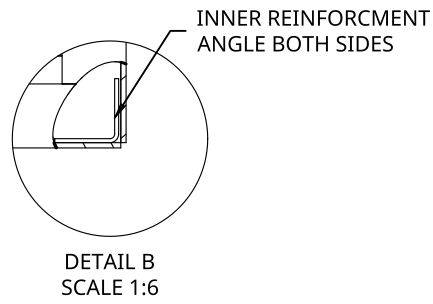
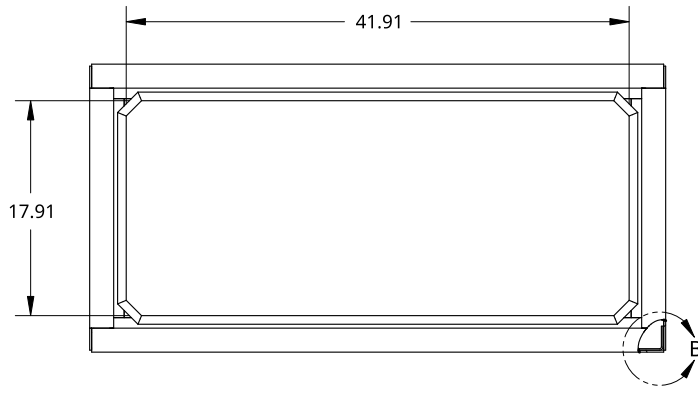


2

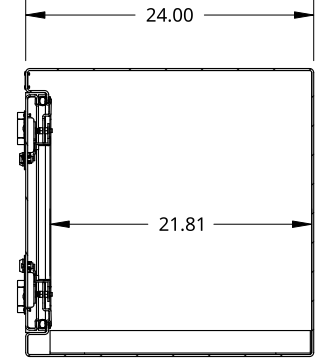
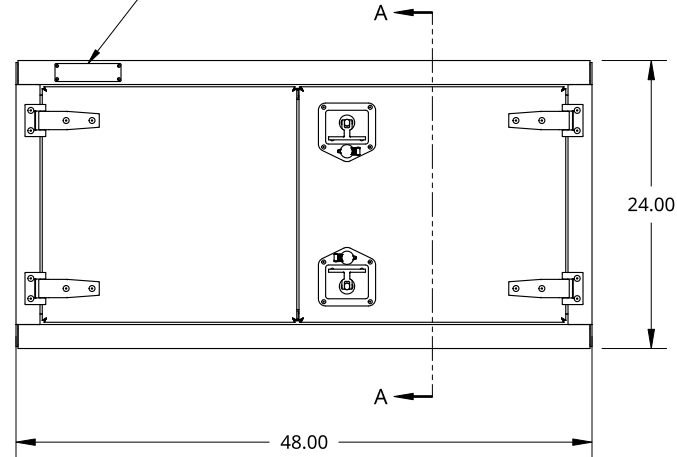
1



B

B

SMALL SIZE TREBOR NAME PLATE



SECTION A - A

A

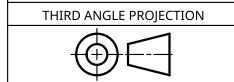
A

THIS DOCUMENT IS THE PROPERTY OF TREBOR MANUFACTURING. ANY UNAUTHORIZED REPRODUCTION WILL BE PROSECUTED TO THE FULL EXTENT OF THE LAW



UNLESS OTHERWISE SPECIFIED, DIMENSIONS ARE IN INCHES
 .XX = ±.1-
 .XXX = ±.015- ANGULAR = ±1°
 .XXXX = ±.005- FRACTIONAL = ±1/8

DRAWN BY	SHAWN CROCKER	09/29/2021
CHANGED BY	SHAWN CROCKER	01/26/2023



MATERIAL
 1/8 ALU CHECKER

PART NO. **TR2448** REV. **D**

TWO DOOR RECESSED DOOR TOOL BOX - 24 X 24 X 48 - T-HANDLE - OPEN RIGHT

SIZE **A** DWG. NO. **D25678** REV. **A**

SCALE	1:16	WEIGHT	91.98 LB	SHEET	1 of 1
-------	------	--------	----------	-------	--------

2

1