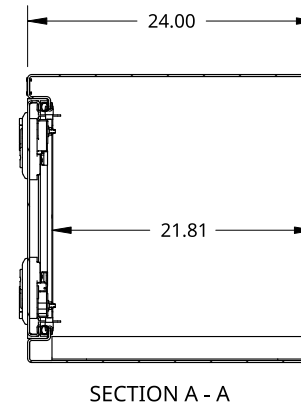
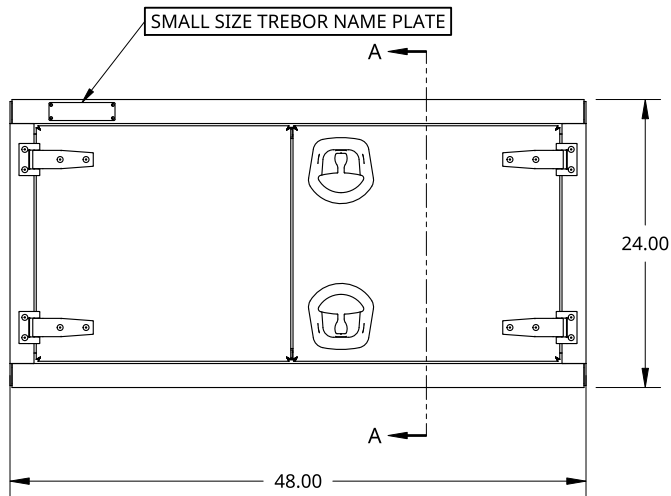
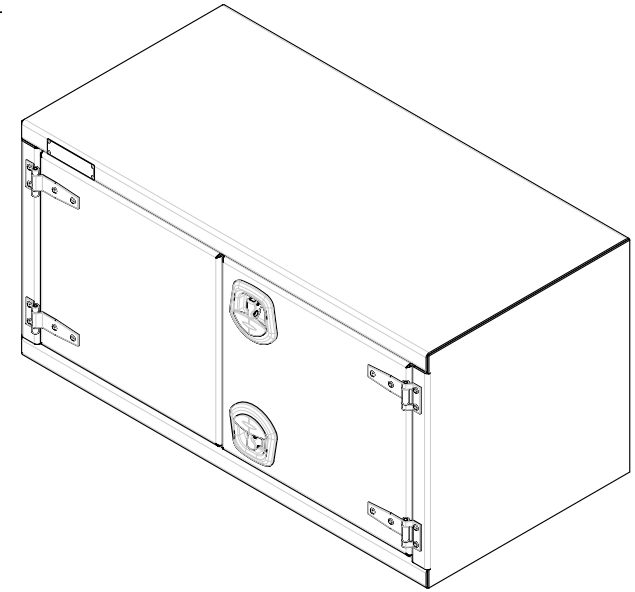
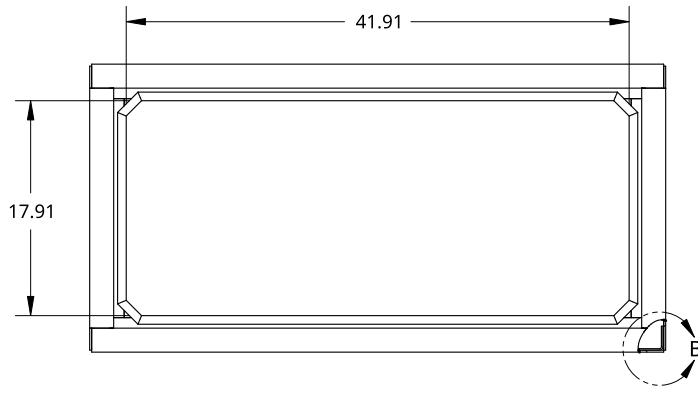


2

1

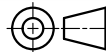


THIS DOCUMENT IS THE PROPERTY OF TREBOR MANUFACTURING. ANY UNAUTHORIZED REPRODUCTION WILL BE PROSECUTED TO THE FULL EXTENT OF THE LAW

UNLESS OTHERWISE SPECIFIED, DIMENSIONS ARE IN INCHES

.XX = ±.1-
 .XXX = ±.015- ANGULAR = ±1°
 .XXXX = ±.005- FRACTIONAL = ±1/8

THIRD ANGLE PROJECTION



| | | |
|------------|---------------|------------|
| DRAWN BY | SHAWN CROCKER | 09/29/2021 |
| CHANGED BY | SHAWN CROCKER | 03/08/2023 |

MATERIAL
 1/8 ALU CHECKER

| | | | |
|----------|----------|------|---|
| PART NO. | TR2448WT | REV. | A |
|----------|----------|------|---|

TWO DOOR RECESSED DOOR TOOL BOX - 24 X 24 X 48 - WHALE TAIL - OPEN RIGHT

| | | | | | |
|------|---|---------|--------|------|---|
| SIZE | A | DWG NO. | D27148 | REV. | A |
|------|---|---------|--------|------|---|

| | | | | | |
|-------|------|--------|----------|-------|--------|
| SCALE | 1:16 | WEIGHT | 98.93 LB | SHEET | 1 of 1 |
|-------|------|--------|----------|-------|--------|

2

1

B

B

A

A