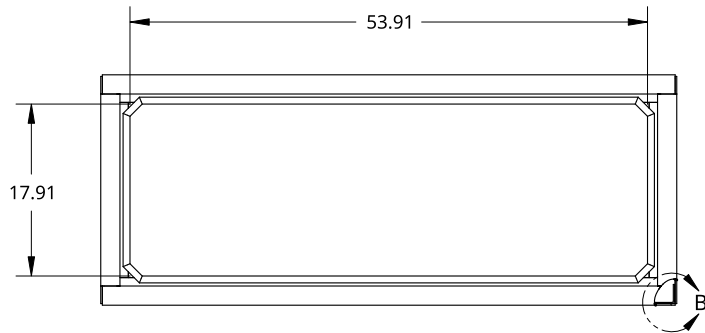
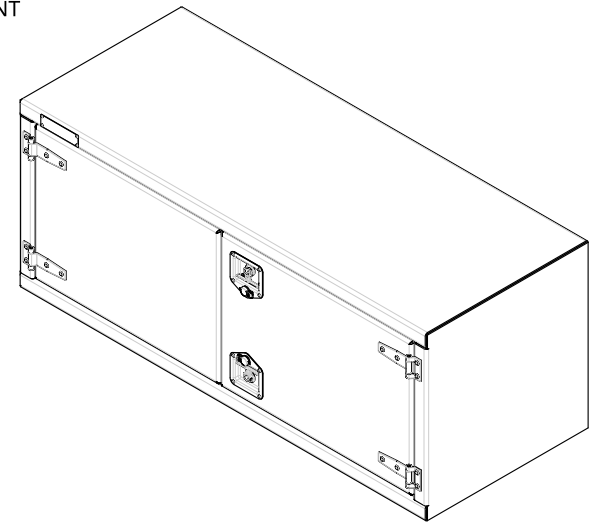
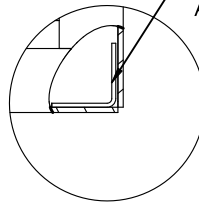


2

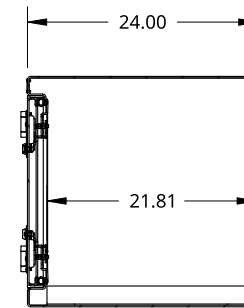
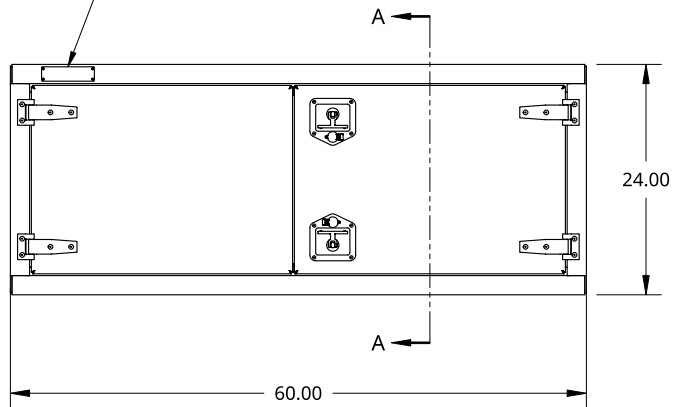
1



INNER REINFORCEMENT  
ANGLE BOTH SIDES



SMALL SIZE TREBOR NAME PLATE



SECTION A - A

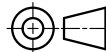
THIS DOCUMENT IS THE PROPERTY OF TREBOR  
MANUFACTURING. ANY UNAUTHORIZED REPRODUCTION  
WILL BE PROSECUTED TO THE FULL EXTENT OF THE LAW



UNLESS OTHERWISE SPECIFIED,  
DIMENSIONS ARE IN INCHES

.XX = ±.1-  
.XXX = ±.015- ANGULAR = ±1°  
.XXXX = ±.005- FRACTIONAL = ±1/8

THIRD ANGLE PROJECTION



MATERIAL

1/8 ALU CHECKER

PART NO. TR2460

TWO DOOR RECESSED DOOR TOOL BOX - 24 X 24 X 60 - T-HANDLE -  
OPEN RIGHT

SIZE A DWG NO. D25679

SCALE 1:20

WEIGHT 108.71 LB

SHEET 1 of 1

REV. A

REV. A

2

1

B

A