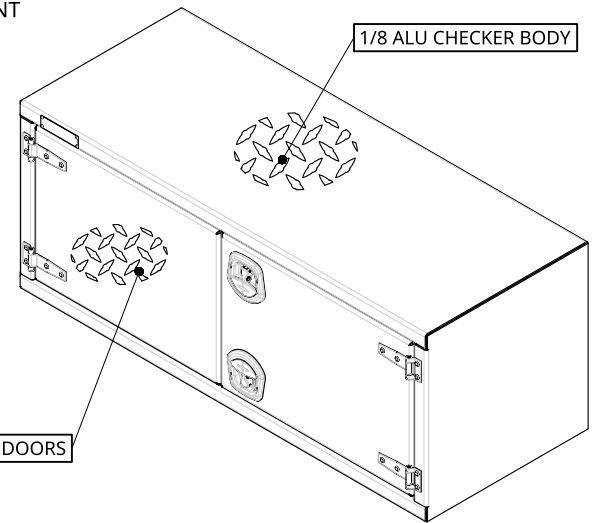
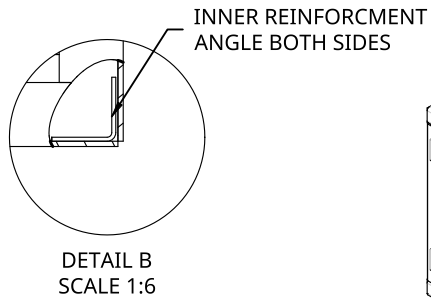
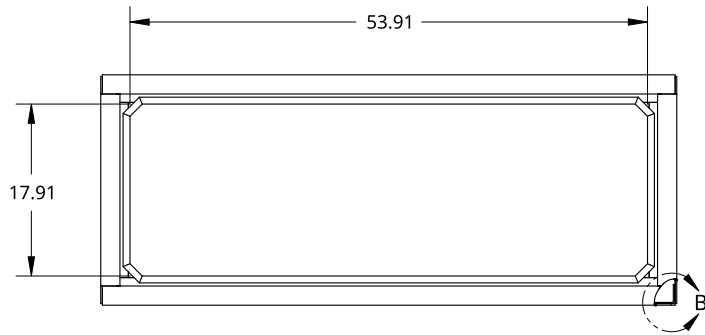
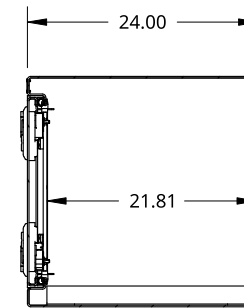
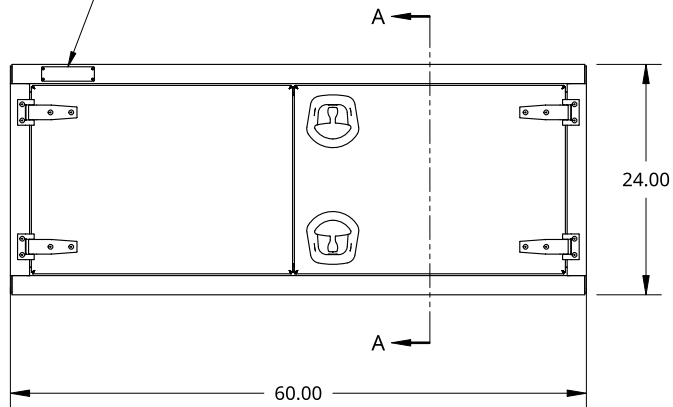


2

1



SMALL SIZE TREBOR NAME PLATE



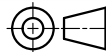
SECTION A - A

THIS DOCUMENT IS THE PROPERTY OF TREBOR MANUFACTURING. ANY UNAUTHORIZED REPRODUCTION WILL BE PROSECUTED TO THE FULL EXTENT OF THE LAW

UNLESS OTHERWISE SPECIFIED, DIMENSIONS ARE IN INCHES

.XX = ±.1-
.XXX = ±.015- ANGULAR = ±1°
.XXXX = ±.005- FRACTIONAL = ±1/8

THIRD ANGLE PROJECTION



DRAWN BY	SHAWN CROCKER	09/29/2021
CHANGED BY	TOMMY HOULE	10/21/2024

MATERIAL
1/8 ALU CHECKER

PART NO.	TR2460WT	REV.	A
----------	----------	------	---

TWO DOOR RECESSED DOOR TOOL BOX - 24 X 24 X 60 - WHALE TAIL - OPEN RIGHT

SIZE	A	DWG NO.	D27149	REV.	A2
------	---	---------	--------	------	----

SCALE	1:20	WEIGHT	115.66 LB	SHEET	1 of 1
-------	------	--------	-----------	-------	--------

2

1

B

B

A

A