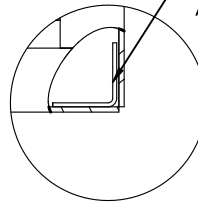


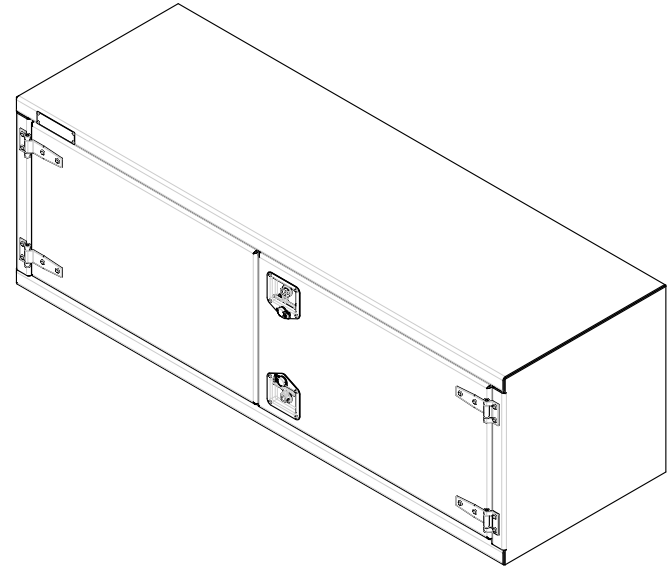
2

1

INNER REINFORCEMENT
ANGLE BOTH SIDES

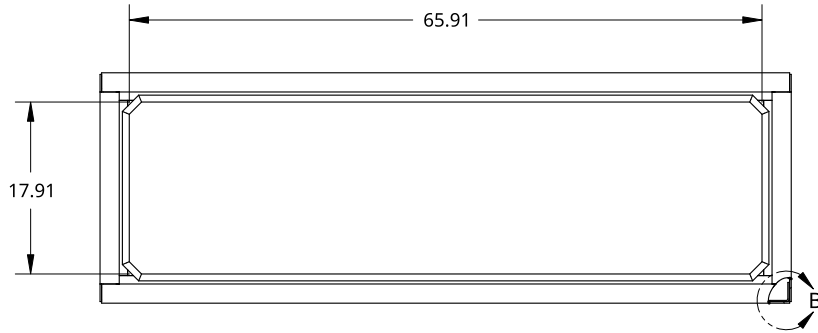


DETAIL B
SCALE 1:6

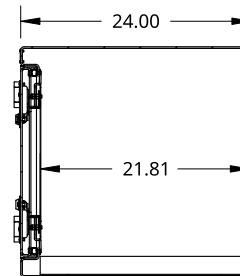
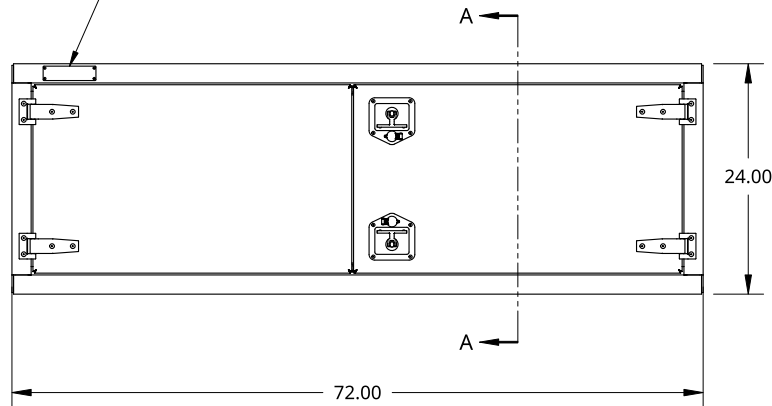


B

B



SMALL SIZE TREBOR NAME PLATE



SECTION A - A

A

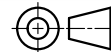
A

THIS DOCUMENT IS THE PROPERTY OF TREBOR
MANUFACTURING. ANY UNAUTHORIZED REPRODUCTION
WILL BE PROSECUTED TO THE FULL EXTENT OF THE LAW

UNLESS OTHERWISE SPECIFIED,
DIMENSIONS ARE IN INCHES

.XX = ±.1-
.XXX = ±.015- ANGULAR = ±1°
.XXXX = ±.005- FRACTIONAL = ±1/8

THIRD ANGLE PROJECTION



DRAWN BY SHAWN CROCKER 09/29/2021
CHANGED BY SHAWN CROCKER 01/26/2023

MATERIAL
1/8 ALU CHECKER

PART NO. TR2472 REV. A

TWO DOOR RECESSED DOOR TOOL BOX - 24 X 24 X 72 - T-HANDLE -
OPEN RIGHT

SIZE A DWG. NO. D25680 REV. A

SCALE 1:20 WEIGHT 124.4 LB SHEET 1 of 1

2

1