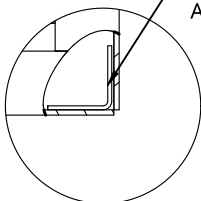


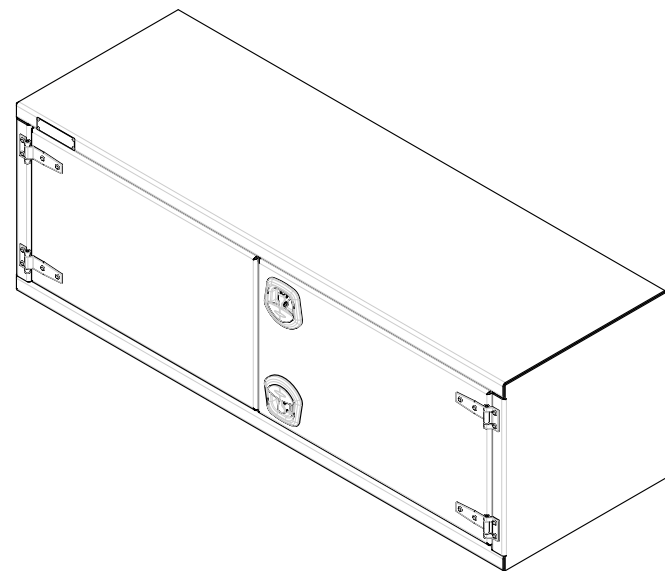
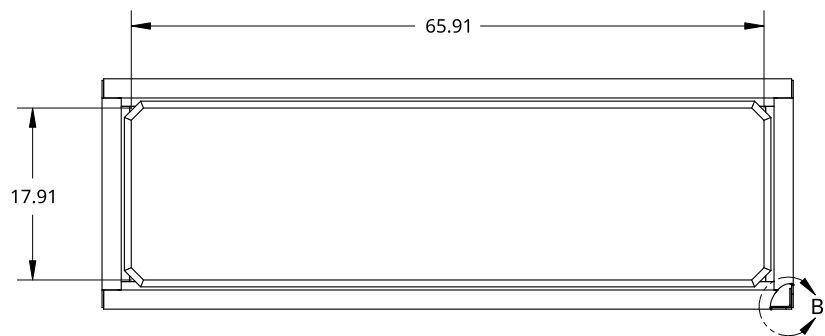
2

1

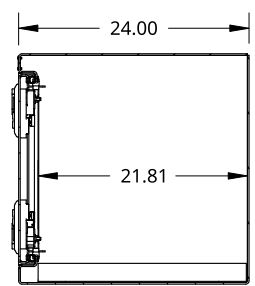
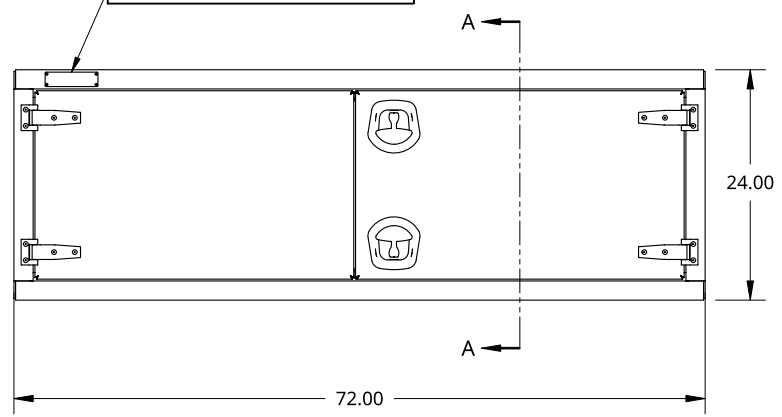
INNER REINFORCMENT
ANGLE BOTH SIDES



DETAIL B
SCALE 1:6



SMALL SIZE TREBOR NAME PLATE



SECTION A - A

THIS DOCUMENT IS THE PROPERTY OF TREBOR MANUFACTURING. ANY UNAUTHORIZED REPRODUCTION WILL BE PROSECUTED TO THE FULL EXTENT OF THE LAW				PART NO. TR2472WT		REV. A
UNLESS OTHERWISE SPECIFIED, DIMENSIONS ARE IN INCHES .XX = ±.1- .XXX = ±.015- .XXXX = ±.005-				DRAWN BY SHAWN CROCKER 09/29/2021 CHANGED BY SHAWN CROCKER 03/08/2023		TWO DOOR RECESSED DOOR TOOL BOX - 24 X 24 X 72 - WHALE TAIL - OPEN RIGHT
THIRD ANGLE PROJECTION 		MATERIAL 1/8 ALU CHECKER		SIZE A	DWG NO. D27150	REV. A
		SCALE 1:20	WEIGHT 131.35 LB	SHEET 1 of 1		

2

1

B

B

A

A