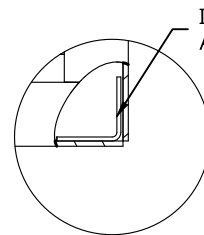
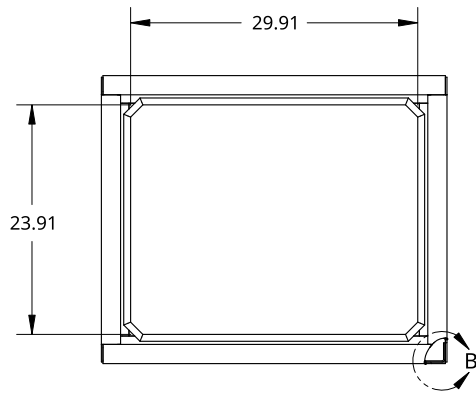


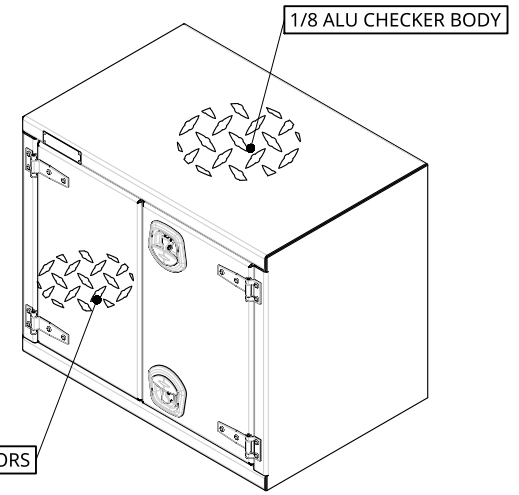
2

1



DETAIL B  
SCALE 1:6

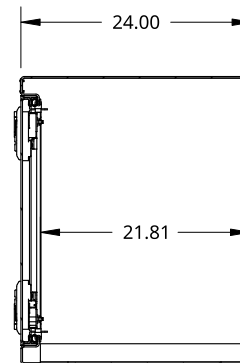
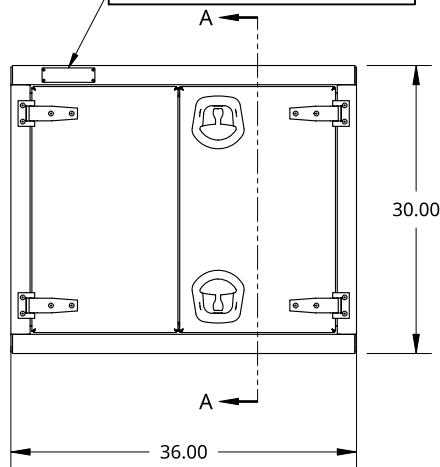
INNER REINFORCEMENT  
ANGLE BOTH SIDES



1/8 ALU CHECKER DOORS

1/8 ALU CHECKER BODY

SMALL SIZE TREBOR NAME PLATE



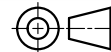
SECTION A - A

THIS DOCUMENT IS THE PROPERTY OF TREBOR  
MANUFACTURING. ANY UNAUTHORIZED REPRODUCTION  
WILL BE PROSECUTED TO THE FULL EXTENT OF THE LAW

UNLESS OTHERWISE SPECIFIED,  
DIMENSIONS ARE IN INCHES

.XX = ±.1-  
.XXX = ±.015- ANGULAR = ±1°  
.XXXX = ±.005- FRACTIONAL = ±1/8

THIRD ANGLE PROJECTION



DRAWN BY	SHAWN CROCKER	09/29/2021
CHANGED BY	TOMMY HOULE	10/21/2024

MATERIAL  
1/8 ALU CHECKER

PART NO. TR3036WT REV. A

TWO DOOR RECESSED DOOR TOOL BOX - 24 X 30 X 36 - WHALE TAIL - OPEN RIGHT

SIZE A DWG NO. D27151 REV. A2

SCALE 1:20 WEIGHT 92.82 LB SHEET 1 of 1

2

1

B

B

A

A