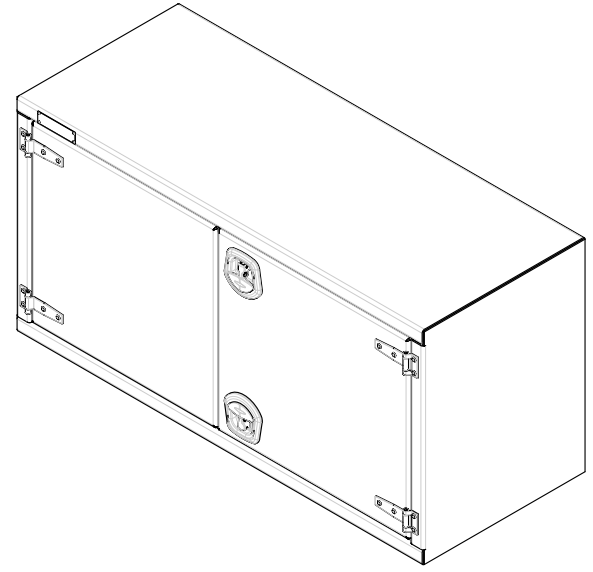
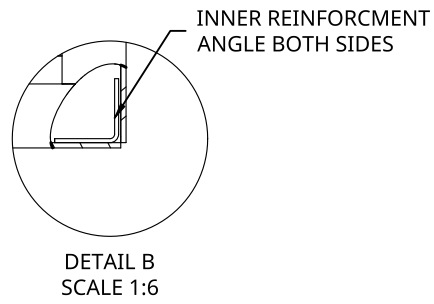
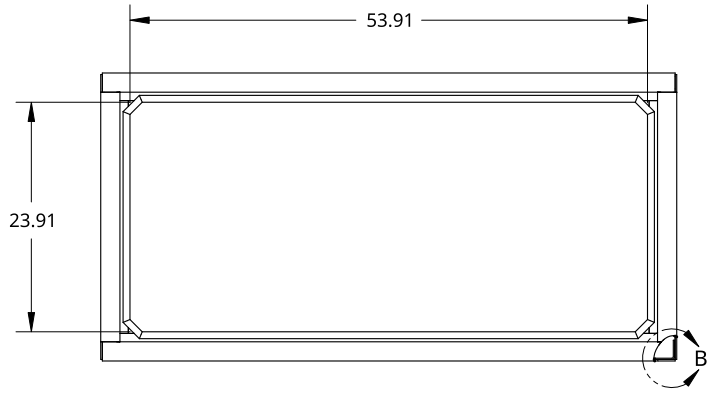
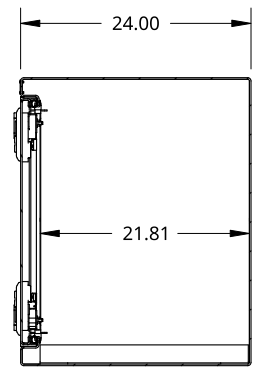
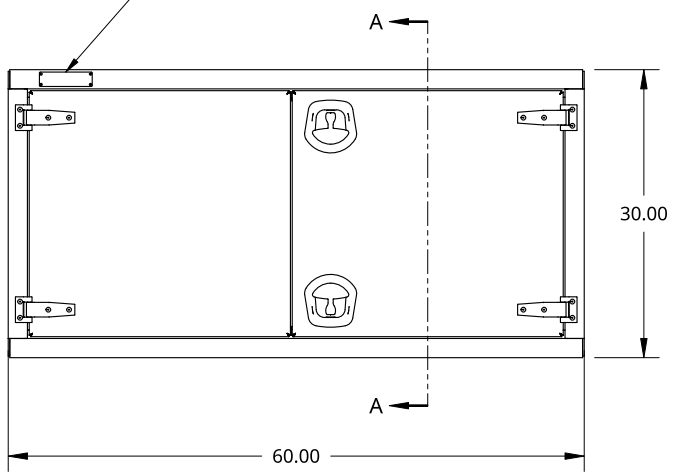


2

1



SMALL SIZE TREBOR NAME PLATE



SECTION A - A

B

B

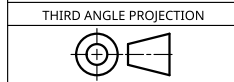
A

A

THIS DOCUMENT IS THE PROPERTY OF TREBOR
MANUFACTURING. ANY UNAUTHORIZED REPRODUCTION
WILL BE PROSECUTED TO THE FULL EXTENT OF THE LAW



UNLESS OTHERWISE SPECIFIED,
DIMENSIONS ARE IN INCHES
.XX = ±.1-
.XXX = ±.015- ANGULAR = ±1°
.XXXX = ±.005- FRACTIONAL = ±1/8



DRAWN BY	SHAWN CROCKER	09/29/2021
CHANGED BY	SHAWN CROCKER	03/08/2023

MATERIAL
1/8 ALU CHECKER

PART NO. TR3060WT REV. A

TWO DOOR RECESSED DOOR TOOL BOX - 24 X 30 X 60 - WHALE TAIL - OPEN RIGHT

SIZE A DWG NO. D27153 REV. A

SCALE 1:20 WEIGHT 130.08 LB SHEET 1 of 1

2

1