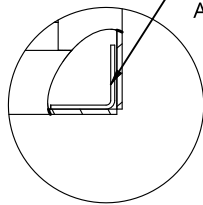


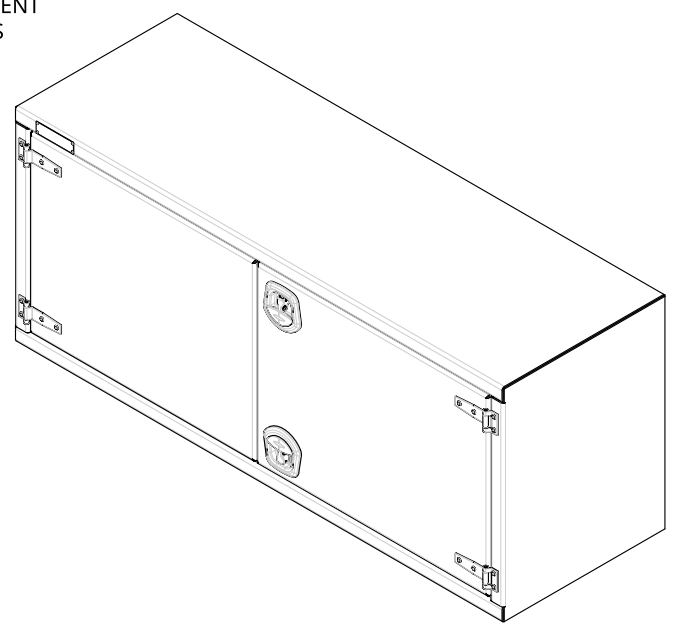
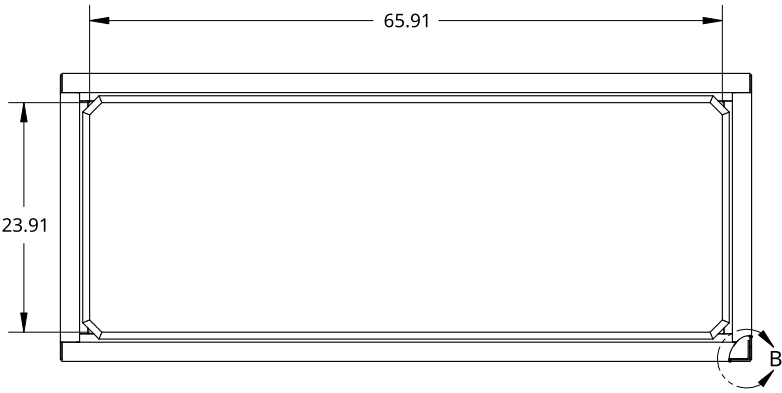
2

1

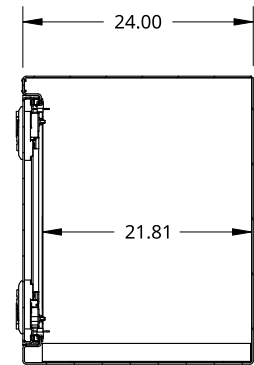
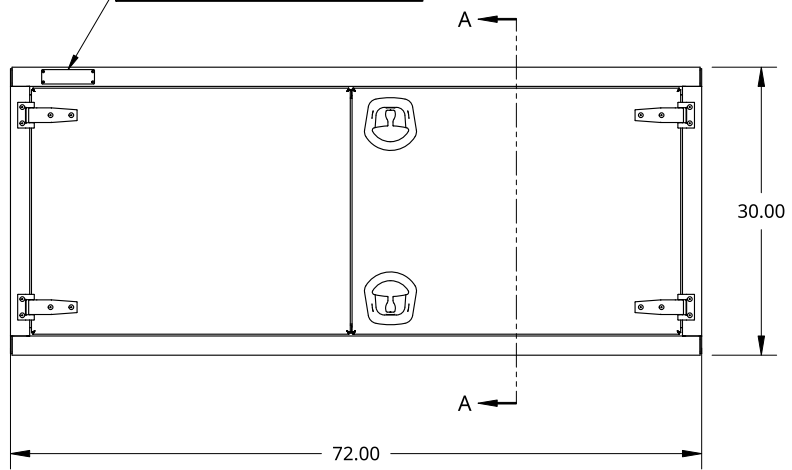
INNER REINFORCEMENT
ANGLE BOTH SIDES



DETAIL B
SCALE 1:6



SMALL SIZE TREBOR NAME PLATE



SECTION A - A

THIS DOCUMENT IS THE PROPERTY OF TREBOR
MANUFACTURING. ANY UNAUTHORIZED REPRODUCTION
WILL BE PROSECUTED TO THE FULL EXTENT OF THE LAW



PART NO. **TR3072WT** REV. **A**

UNLESS OTHERWISE SPECIFIED,
DIMENSIONS ARE IN INCHES
.XX = ±.1-
.XXX = ±.015- ANGULAR = ±1°
.XXXX = ±.005- FRACTIONAL = ±1/8

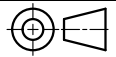
DRAWN BY SHAWN CROCKER 09/29/2021
CHANGED BY SHAWN CROCKER 03/08/2023

TWO DOOR RECESSED DOOR TOOL BOX - 24 X 30 X 72 - WHALE TAIL -
OPEN RIGHT

THIRD ANGLE PROJECTION

MATERIAL
1/8 ALU CHECKER

SIZE **A** DWG. NO. **D27154** REV. **A**



SCALE **1:20** WEIGHT **148.67 LB** SHEET **1 of 1**

2

1