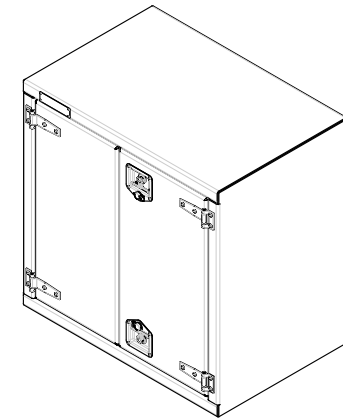
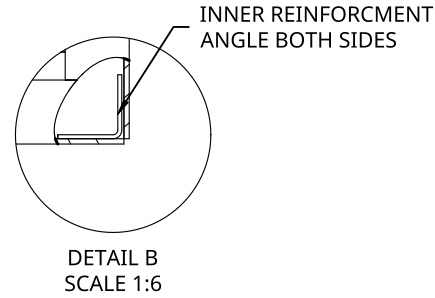
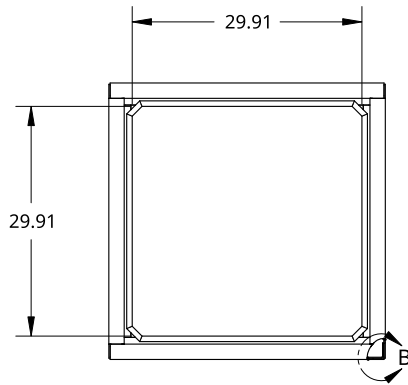
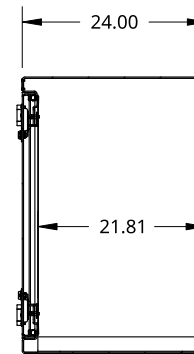
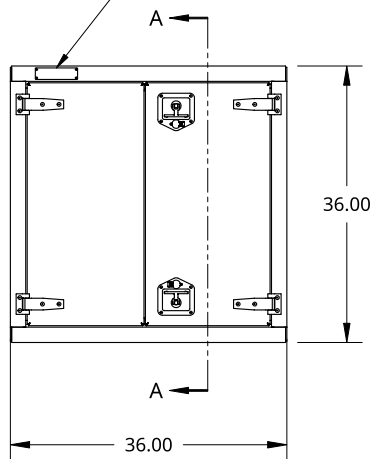


2

1



SMALL SIZE TREBOR NAME PLATE



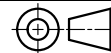
SECTION A - A

THIS DOCUMENT IS THE PROPERTY OF TREBOR MANUFACTURING. ANY UNAUTHORIZED REPRODUCTION WILL BE PROSECUTED TO THE FULL EXTENT OF THE LAW

UNLESS OTHERWISE SPECIFIED, DIMENSIONS ARE IN INCHES

.XX = ±.1-
.XXX = ±.015- ANGULAR = ±1°
.XXXX = ±.005- FRACTIONAL = ±1/8

THIRD ANGLE PROJECTION



DRAWN BY	SHAWN CROCKER	09/29/2021
CHANGED BY	SHAWN CROCKER	01/26/2023

MATERIAL
1/8 ALU CHECKER

PART NO.		TR3636		REV.	A
TWO DOOR RECESSED DOOR TOOL BOX - 24 X 36 X 36 - T-HANDLE - OPEN RIGHT					
SIZE	DWG. NO.			REV.	A
A	D25685				
SCALE	1:25	WEIGHT	96.5 LB	SHEET	1 of 1

2

1

B

B

A

A