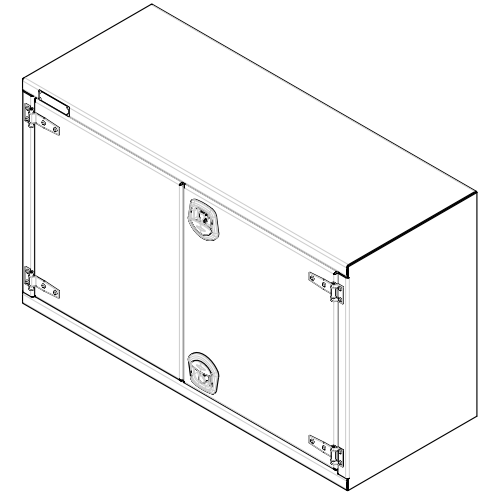
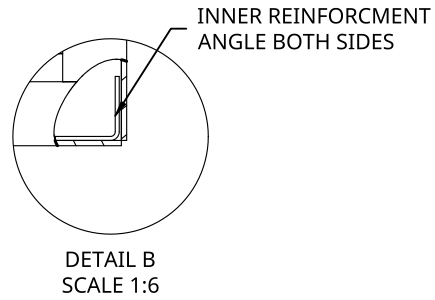
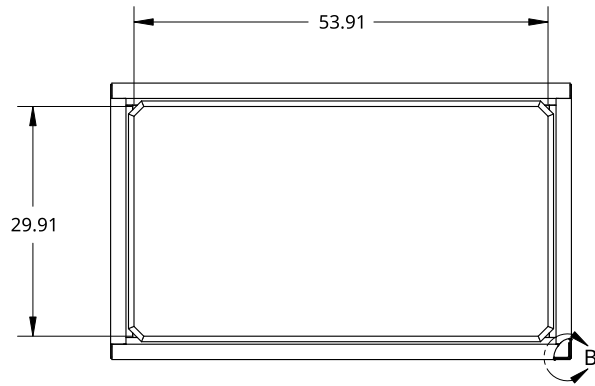
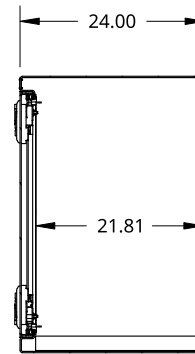
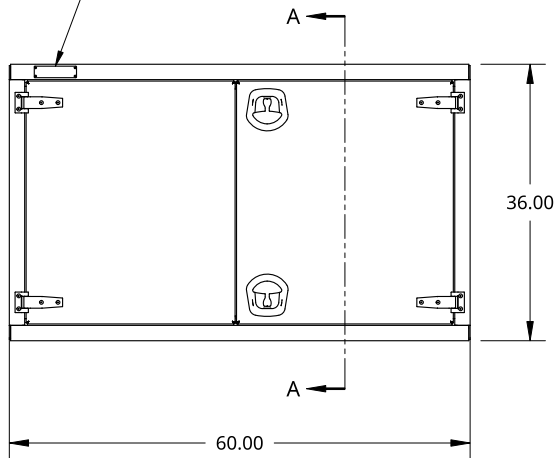


2

1



SMALL SIZE TREBOR NAME PLATE



SECTION A - A

THIS DOCUMENT IS THE PROPERTY OF TREBOR MANUFACTURING. ANY UNAUTHORIZED REPRODUCTION WILL BE PROSECUTED TO THE FULL EXTENT OF THE LAW

UNLESS OTHERWISE SPECIFIED, DIMENSIONS ARE IN INCHES

.XX = ±.1-

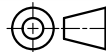
.XXX = ±.015-

.XXXX = ±.005-

ANGULAR = ±1°

FRACTIONAL = ±1/8

THIRD ANGLE PROJECTION



DRAWN BY	SHAWN CROCKER	09/29/2021
CHANGED BY	SHAWN CROCKER	03/08/2023

MATERIAL  
1/8 ALU CHECKER

PART NO.		TR3660WT		REV.	A
TWO DOOR RECESSED DOOR TOOL BOX - 24 X 36 X 60 - WHALE TAIL - OPEN RIGHT					
SIZE	A	DWG. NO.	D27157		REV.
SCALE	1:25	WEIGHT	144.51 LB	SHEET	1 of 1

2

1

B

B

A

A