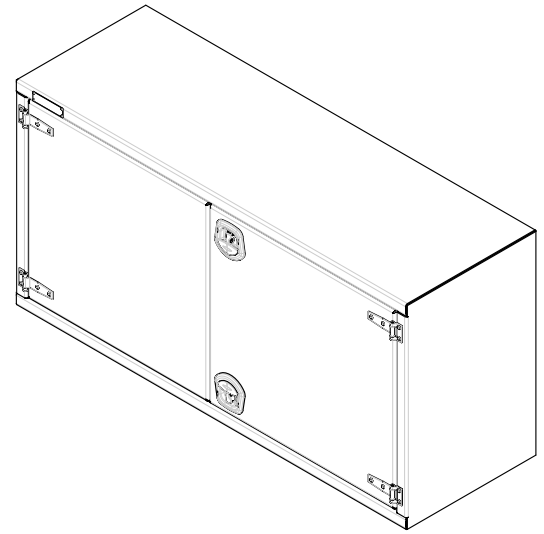
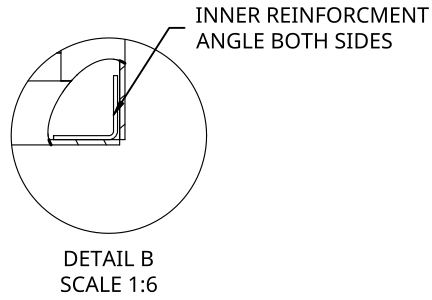
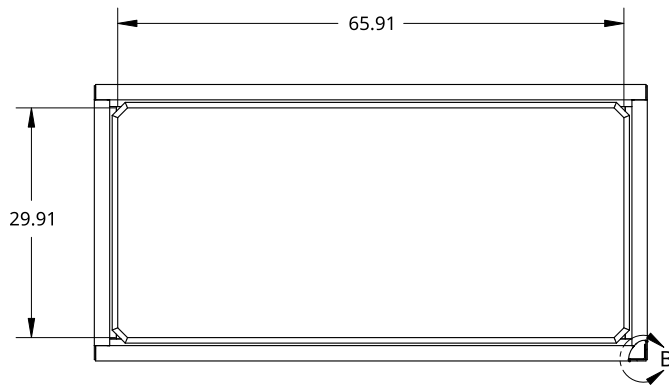
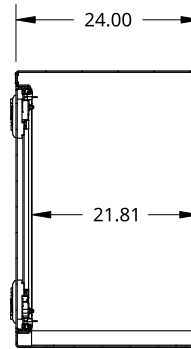
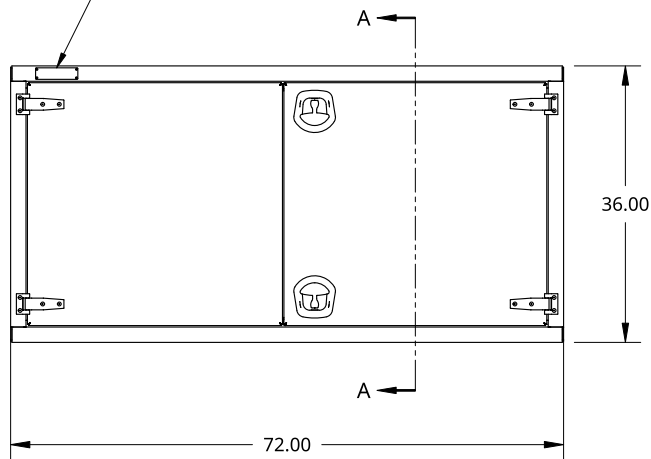


2

1



SMALL SIZE TREBOR NAME PLATE



SECTION A - A

<small>THIS DOCUMENT IS THE PROPERTY OF TREBOR MANUFACTURING. ANY UNAUTHORIZED REPRODUCTION WILL BE PROSECUTED TO THE FULL EXTENT OF THE LAW</small>				PART NO. TR3672WT		REV. A
<small>UNLESS OTHERWISE SPECIFIED, DIMENSIONS ARE IN INCHES .XX = ±.1- .XXX = ±.015- .XXXX = ±.005-</small>		<small>ANGULAR = ±1° FRACTIONAL = ±1/8</small>		DRAWN BY SHAWN CROCKER 09/29/2021 CHANGED BY SHAWN CROCKER 03/08/2023		TWO DOOR RECESSED DOOR TOOL BOX - 24 X 36 X 72 - WHALE TAIL - OPEN RIGHT
<small>THIRD ANGLE PROJECTION</small>		MATERIAL 1/8 ALU CHECKER		SIZE A DWG. NO. D27158		REV. A
				SCALE 1:25	WEIGHT 164.99 LB	SHEET 1 of 1

2

1

B

B

A

A