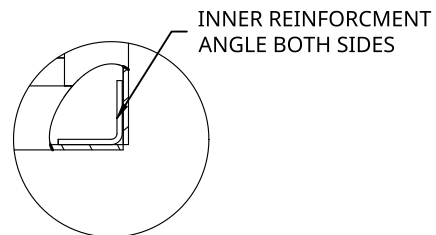


2

1

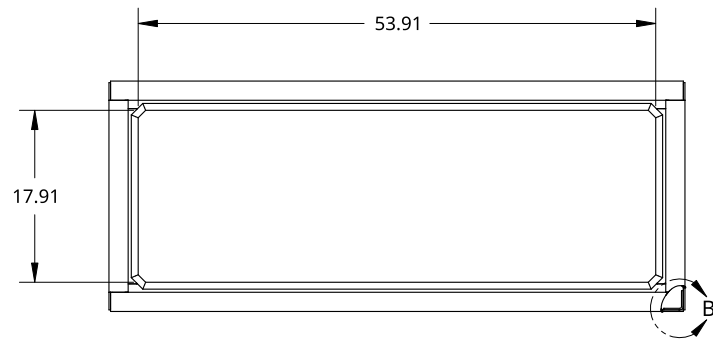
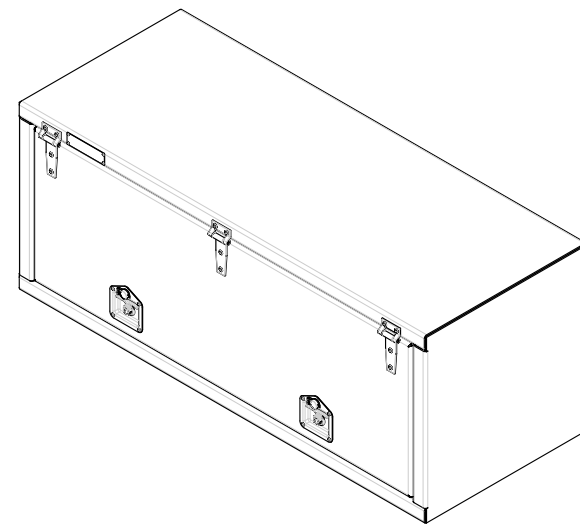
B

B



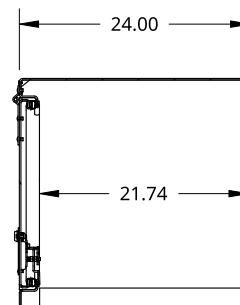
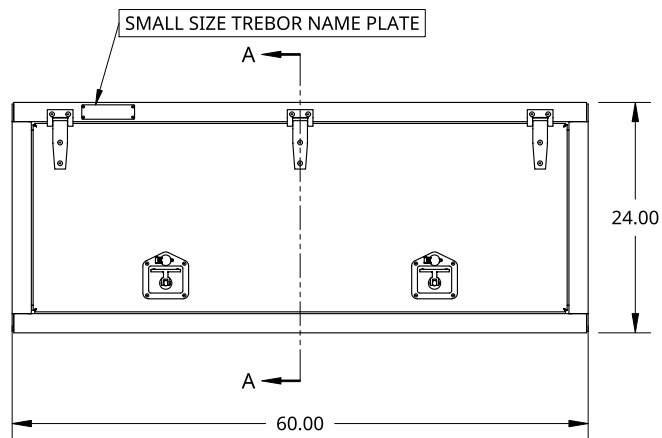
INNER REINFORCEMENT
ANGLE BOTH SIDES

DETAIL B
SCALE 1:6



A

A



SECTION A - A

THIS DOCUMENT IS THE PROPERTY OF TREBOR
MANUFACTURING. ANY UNAUTHORIZED REPRODUCTION
WILL BE PROSECUTED TO THE FULL EXTENT OF THE LAW

UNLESS OTHERWISE SPECIFIED,
DIMENSIONS ARE IN INCHES

.XX = ±.1-
 .XXX = ±.015- ANGULAR = ±1°
 .XXXX = ±.005- FRACTIONAL = ±1/8

THIRD ANGLE PROJECTION



DRAWN	SHAWN CROCKER	10/16/2021
-------	---------------	------------

MATERIAL	1/8 ALU CHECKER
----------	-----------------

PART NO.	TRID2460U	REV.	A
----------	-----------	------	---

ONE DOOR RECESSED DOOR TOOL BOX - 24 X 24 X 60 - X2 T-HANDLES - X3 HINGES - OPEN UP

SIZE	A	DWG NO.	D12357	REV.	A
------	---	---------	--------	------	---

SCALE	1:20	WEIGHT	107 LB	SHEET	1 of 1
-------	------	--------	--------	-------	--------

2

1