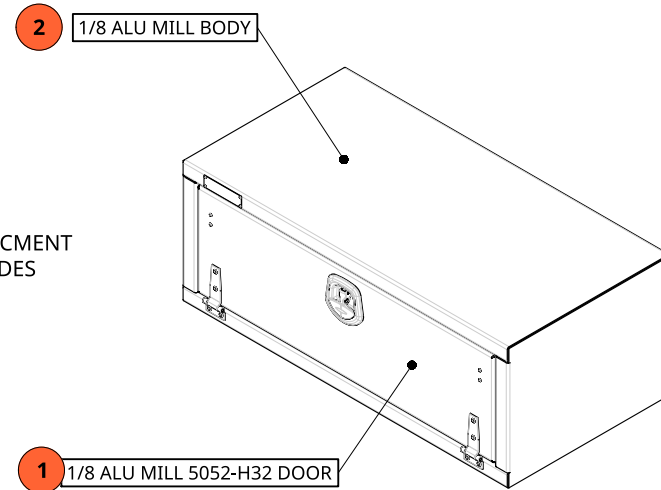
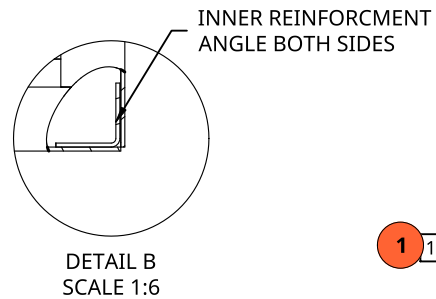
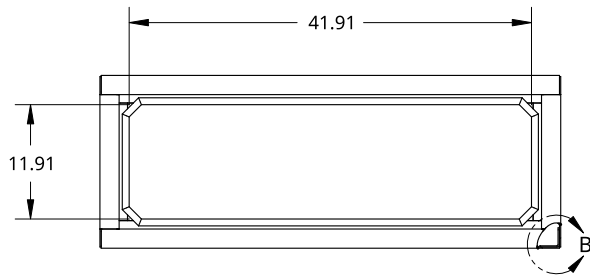


2

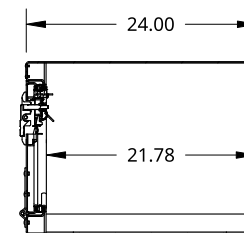
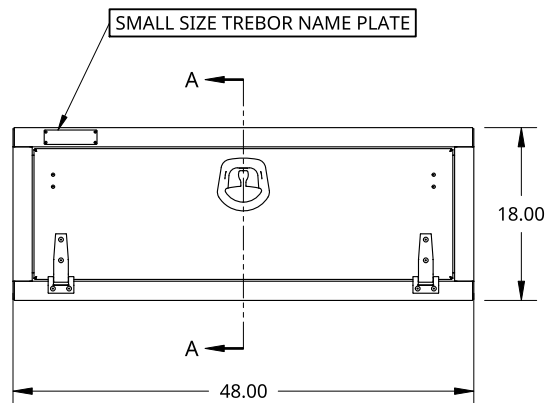
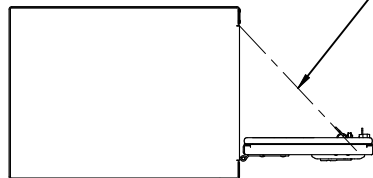
1

B

A



X2 DOOR CHAIN TO HOLD
DOOR AT 90 DEG.



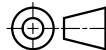
SECTION A - A

THIS DOCUMENT IS THE PROPERTY OF TREBOR
MANUFACTURING. ANY UNAUTHORIZED REPRODUCTION
WILL BE PROSECUTED TO THE FULL EXTENT OF THE LAW

UNLESS OTHERWISE SPECIFIED,
DIMENSIONS ARE IN INCHES

.XX = ±.1- ANGULAR = ±1°
.XXX = ±.015- FRACTIONAL = ±1/8
.XXXX = ±.005-

THIRD ANGLE PROJECTION



DRAWN BY	SHAWN CROCKER	08/02/2021
CHANGED BY	SHAWN CROCKER	03/22/2023

MATERIAL
1/8 ALU MILL

PART NO. TRIDPL1848WT

REV. A

ONE DOOR RECESSED DOOR TOOL BOX - 24 X 18 X 48 - X1 WHALE TAIL
- OPEN DOWN

SIZE A DWG NO. D28037

REV. A

SCALE 1:20	WEIGHT 69.47 LB	SHEET 1 of 1
------------	-----------------	--------------

2

1