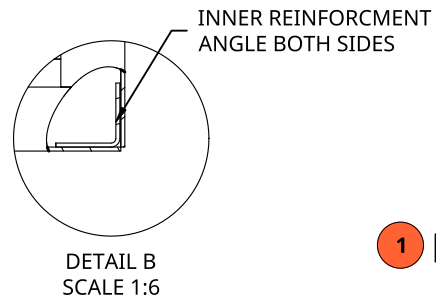
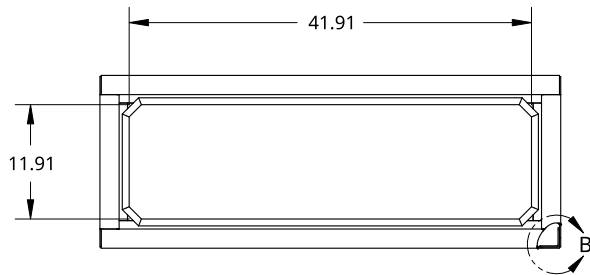


2

1

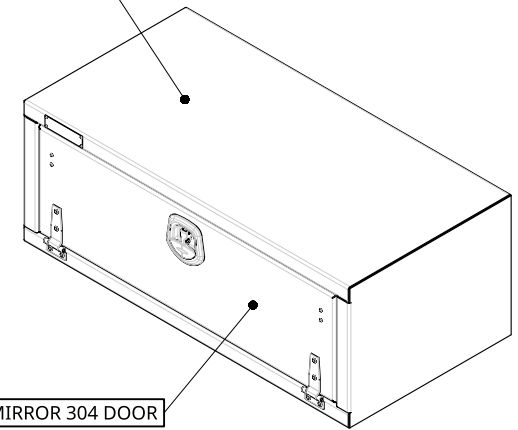
B

A

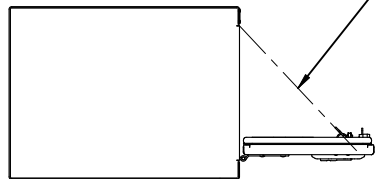


2 1/8 ALU MILL BODY

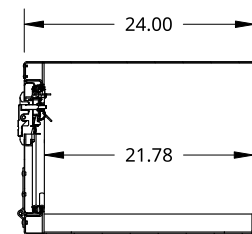
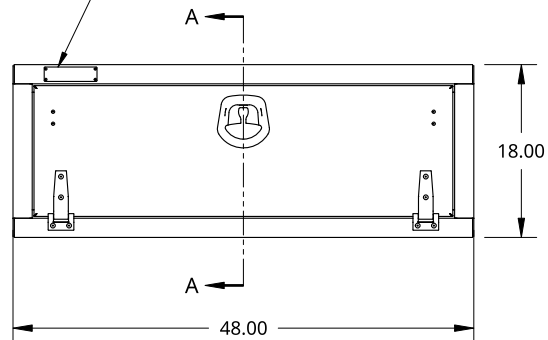
1 18G SS MIRROR 304 DOOR



X2 DOOR CHAIN TO HOLD  
DOOR AT 90 DEG.



SMALL SIZE TREBOR NAME PLATE



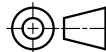
SECTION A - A

THIS DOCUMENT IS THE PROPERTY OF TREBOR  
MANUFACTURING. ANY UNAUTHORIZED REPRODUCTION  
WILL BE PROSECUTED TO THE FULL EXTENT OF THE LAW

UNLESS OTHERWISE SPECIFIED,  
DIMENSIONS ARE IN INCHES

.XX = ±.1-  
.XXX = ±.015- ANGULAR = ±1°  
.XXXX = ±.005- FRACTIONAL = ±1/8

THIRD ANGLE PROJECTION



DRAWN BY	SHAWN CROCKER	08/02/2021
CHANGED BY	SHAWN CROCKER	03/17/2023

MATERIAL  
MIXED MATERIAL

PART NO. TRIDPLSS1848WT REV. A

ONE DOOR RECESSED DOOR TOOL BOX - 24 X 18 X 48 - X1 WHALE TAIL  
- OPEN DOWN

SIZE A DWG NO. D27912 REV. A

SCALE 1:20	WEIGHT 70.44 LB	SHEET 1 of 1
------------	-----------------	--------------

2

1