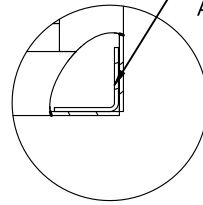
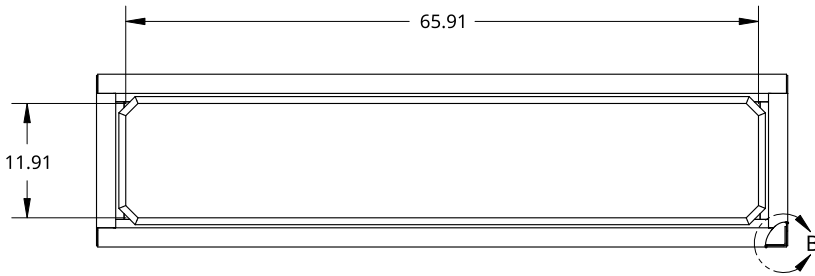


2

1

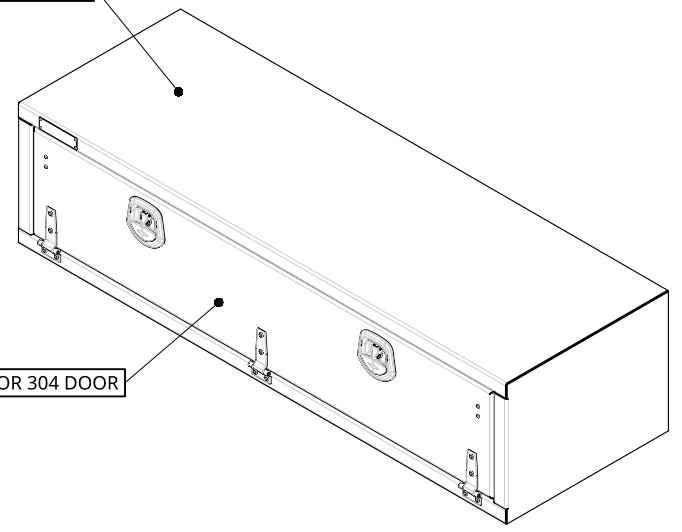


DETAIL B
SCALE 1:6

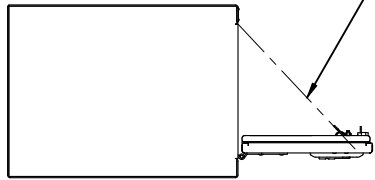
INNER REINFORCEMENT
ANGLE BOTH SIDES

2 1/8 ALU MILL BODY

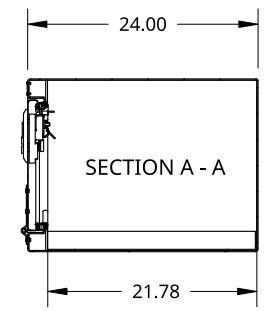
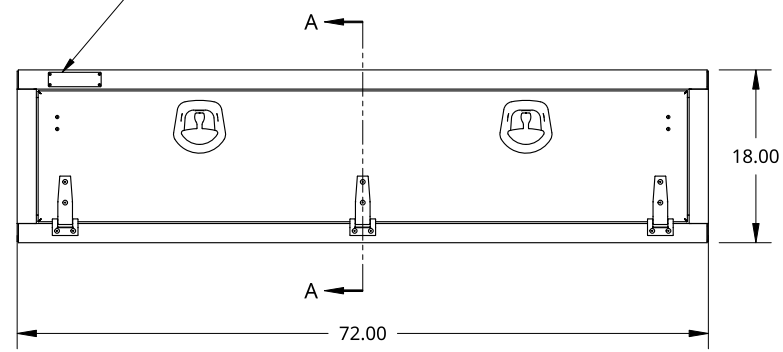
1 18G SS MIRROR 304 DOOR





X2 DOOR CHAIN TO HOLD
DOOR AT 90 DEG.



SMALL SIZE TREBOR NAME PLATE



SECTION A - A

THIS DOCUMENT IS THE PROPERTY OF TREBOR MANUFACTURING. ANY UNAUTHORIZED REPRODUCTION WILL BE PROSECUTED TO THE FULL EXTENT OF THE LAW				PART NO. TRIDPLSS1872WT		REV. A
UNLESS OTHERWISE SPECIFIED, DIMENSIONS ARE IN INCHES .XX = ±.1- .XXX = ±.015- .XXXX = ±.005-				DRAWN BY RAUL MANRIQUE 10/31/2022 CHANGED BY SHAWN CROCKER 03/17/2023		ONE DOOR RECESSED DOOR TOOL BOX - 24 X 18 X 72 - X2 WHALE TAILS - X3 HINGES - OPEN DOWN
THIRD ANGLE PROJECTION		MATERIAL MIXED MATERIAL		SIZE A DWG NO. D27918		REV. A
				SCALE 1:20	WEIGHT 98.18 LB	SHEET 1 of 1

2

1

B

B

A

A