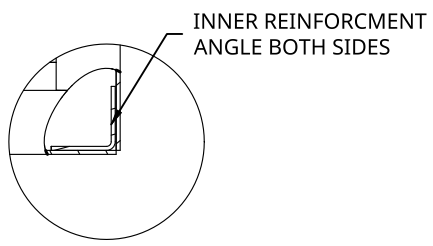
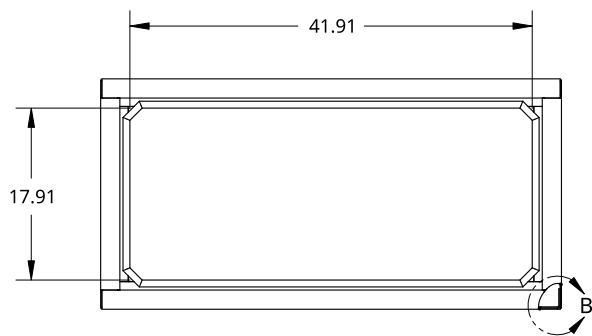


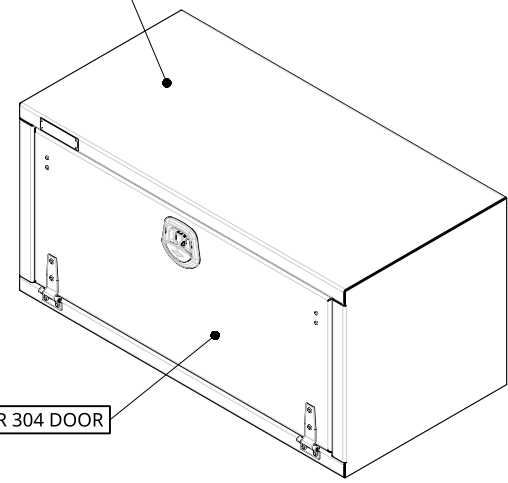
2

1



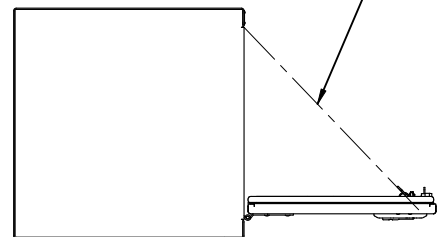
DETAIL B
SCALE 1:6

2 1/8 ALU MILL BODY

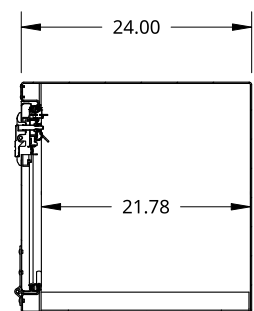
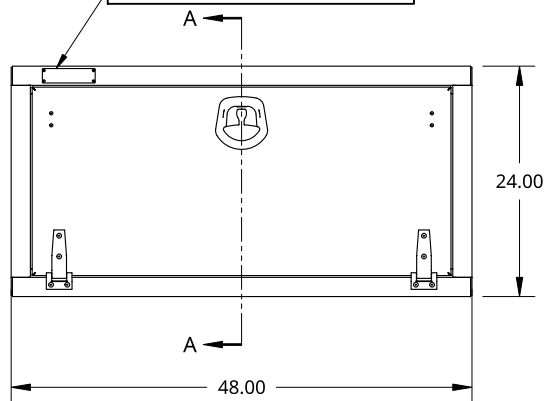


1 18G SS MIRROR 304 DOOR

X2 DOOR CHAIN TO HOLD
DOOR AT 90 DEG.



SMALL SIZE TREBOR NAME PLATE



SECTION A - A

B

B

A

A

2

1

<small>THIS DOCUMENT IS THE PROPERTY OF TREBOR MANUFACTURING. ANY UNAUTHORIZED REPRODUCTION WILL BE PROSECUTED TO THE FULL EXTENT OF THE LAW</small>				PART NO. TRIDPLSS2448WT		REV. A
<small>UNLESS OTHERWISE SPECIFIED, DIMENSIONS ARE IN INCHES .XX = ±.1- .XXX = ±.015- .XXXX = ±.005-</small>		<small>ANGULAR = ±1° FRACTIONAL = ±1/8</small>	DRAWN BY SHAWN CROCKER CHANGED BY SHAWN CROCKER	08/02/2021 03/17/2023	ONE DOOR RECESSED DOOR TOOL BOX - 24 X 24 X 48 - X1 WHALE TAIL - OPEN DOWN	
THIRD ANGLE PROJECTION 		MATERIAL MIXED MATERIAL		SIZE A DWG NO. D27928		REV. A
				SCALE 1:20	WEIGHT 81.99 LB	SHEET 1 of 1