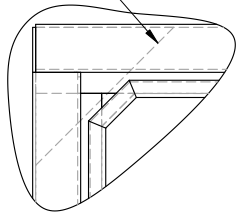


2

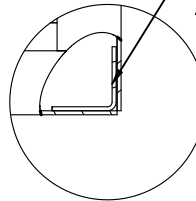
1

RECESSED DOOR FRAME INNER GUSSET - 2IN TOP FRAME X 2IN SIDE FRAME

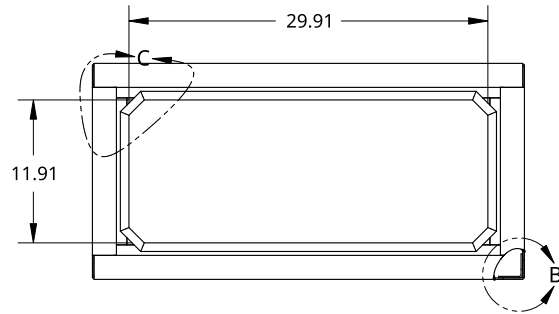
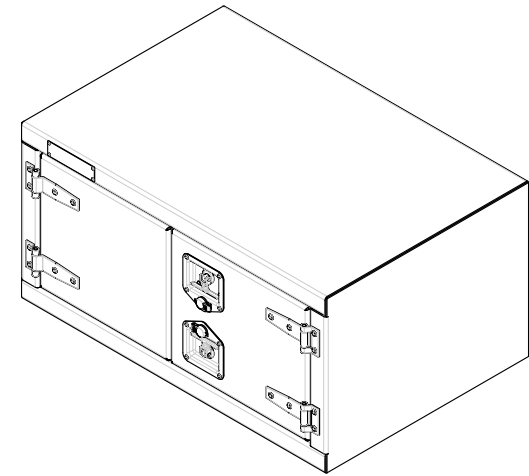


DETAIL C
SCALE 1:8

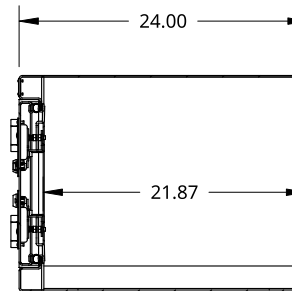
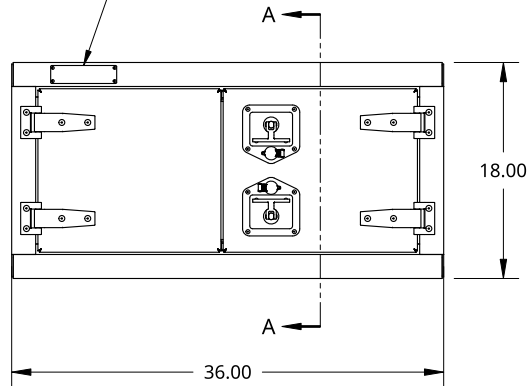
INNER REINFORCEMENT
ANGLE BOTH SIDES



DETAIL B
SCALE 1:6



SMALL SIZE TREBOR NAME PLATE



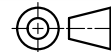
SECTION A - A

THIS DOCUMENT IS THE PROPERTY OF TREBOR
MANUFACTURING. ANY UNAUTHORIZED REPRODUCTION
WILL BE PROSECUTED TO THE FULL EXTENT OF THE LAW

UNLESS OTHERWISE SPECIFIED,
DIMENSIONS ARE IN INCHES

.XX = ±.1-
.XXX = ±.015- ANGULAR = ±1°
.XXXX = ±.005- FRACTIONAL = ±1/8

THIRD ANGLE PROJECTION



DRAWN BY SHAWN CROCKER 08/02/2021
CHANGED BY SHAWN CROCKER 02/28/2023

MATERIAL
1/8 ALU MILL

PART NO. TRPL1836 REV. A

TWO DOOR RECESSED DOOR TOOL BOX - 24 X 18 X 36 - T-HANDLE -
OPEN RIGHT

SIZE A DWG. NO. D25837 REV. A

SCALE 1:16 WEIGHT 60.51 LB SHEET 1 of 1

2

1

B

B

A

A