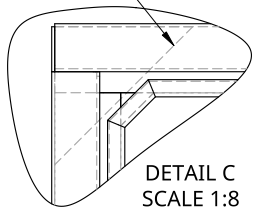


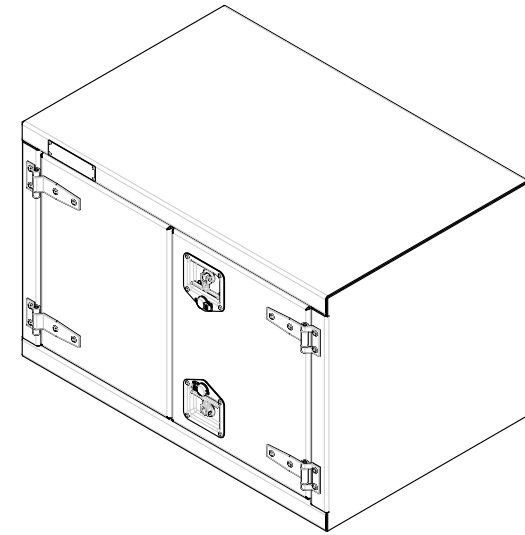
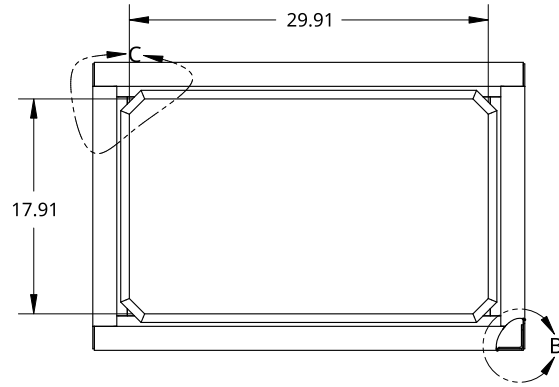
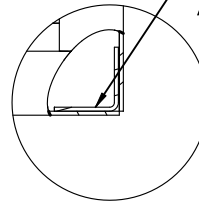
2

1

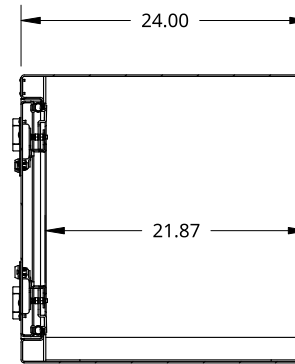
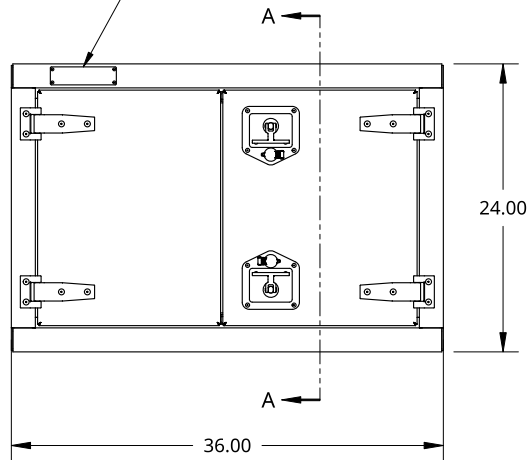
RECESSED DOOR FRAME INNER GUSSET - 2IN TOP FRAME X 2IN SIDE FRAME



INNER REINFORCEMENT
ANGLE BOTH SIDES



SMALL SIZE TREBOR NAME PLATE



SECTION A - A

THIS DOCUMENT IS THE PROPERTY OF TREBOR
MANUFACTURING. ANY UNAUTHORIZED REPRODUCTION
WILL BE PROSECUTED TO THE FULL EXTENT OF THE LAW



PART NO. **TRPL2436** REV. **A**

UNLESS OTHERWISE SPECIFIED,
DIMENSIONS ARE IN INCHES

.XX = ±.1-
.XXX = ±.015- ANGULAR = ±1°
.XXXX = ±.005- FRACTIONAL = ±1/8

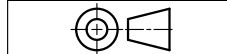
DRAWN BY	SHAWN CROCKER	09/29/2021
CHANGED BY	SHAWN CROCKER	02/28/2023

TWO DOOR RECESSED DOOR TOOL BOX - 24 X 24 X 36 - T-HANDLE -
OPEN RIGHT

THIRD ANGLE PROJECTION

MATERIAL

SIZE **A** DWG NO. **D25840** REV. **A**



1/8 ALU MILL

SCALE	1:16	WEIGHT	70.45 LB	SHEET	1 of 1
-------	-------------	--------	-----------------	-------	---------------

2

1

B

B

A

A