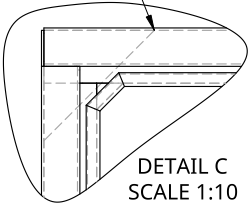


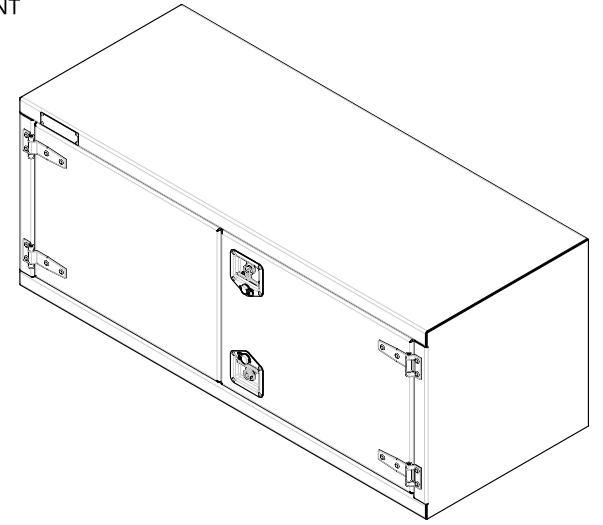
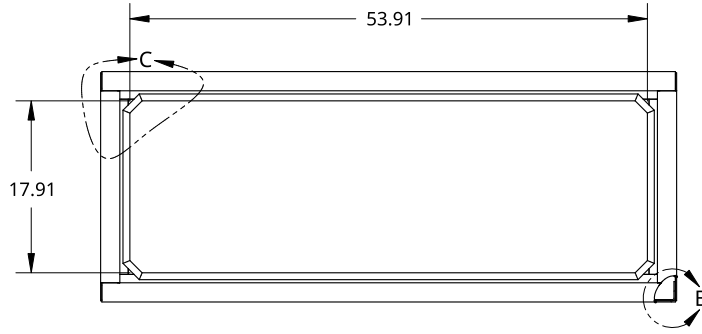
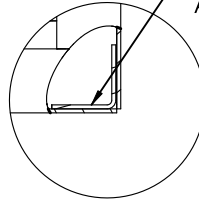
2

1

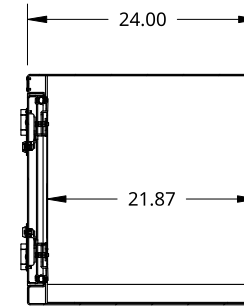
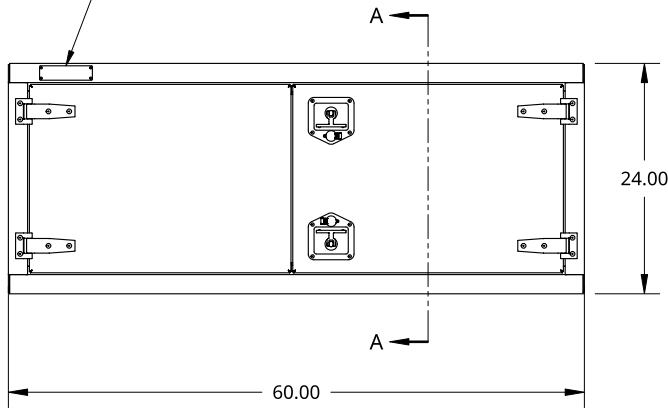
RECESSED DOOR FRAME INNER GUSSET - 2IN TOP FRAME X 2IN SIDE FRAME



INNER REINFORCEMENT  
ANGLE BOTH SIDES



SMALL SIZE TREBOR NAME PLATE



THIS DOCUMENT IS THE PROPERTY OF TREBOR  
MANUFACTURING. ANY UNAUTHORIZED REPRODUCTION  
WILL BE PROSECUTED TO THE FULL EXTENT OF THE LAW



PART NO. **TRPL2460** REV. **A**

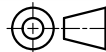
UNLESS OTHERWISE SPECIFIED,  
DIMENSIONS ARE IN INCHES

.XX = ±.1-  
.XXX = ±.015- ANGULAR = ±1°  
.XXXX = ±.005- FRACTIONAL = ±1/8

DRAWN BY	SHAWN CROCKER	09/29/2021
CHANGED BY	SHAWN CROCKER	02/28/2023

TWO DOOR RECESSED DOOR TOOL BOX - 24 X 24 X 60 - T-HANDLE -  
OPEN RIGHT

THIRD ANGLE PROJECTION



MATERIAL

1/8 ALU MILL

SIZE **A** DWG NO. **D25849** REV. **A**

SCALE	1:20	WEIGHT	101.8 LB	SHEET	1 of 1
-------	------	--------	----------	-------	--------

2

1

B

B

A

A