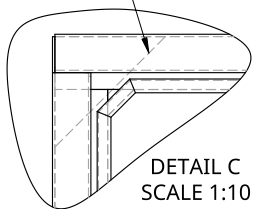


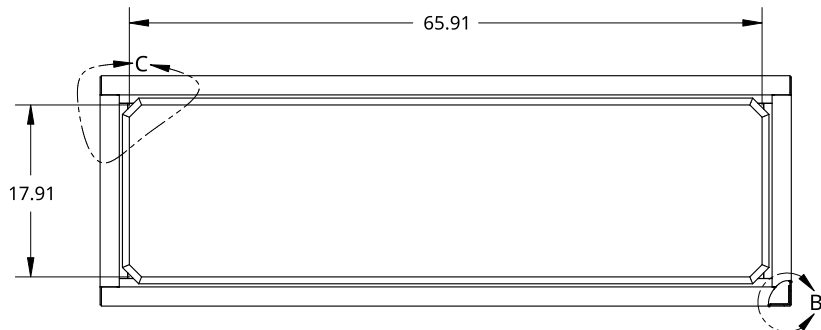
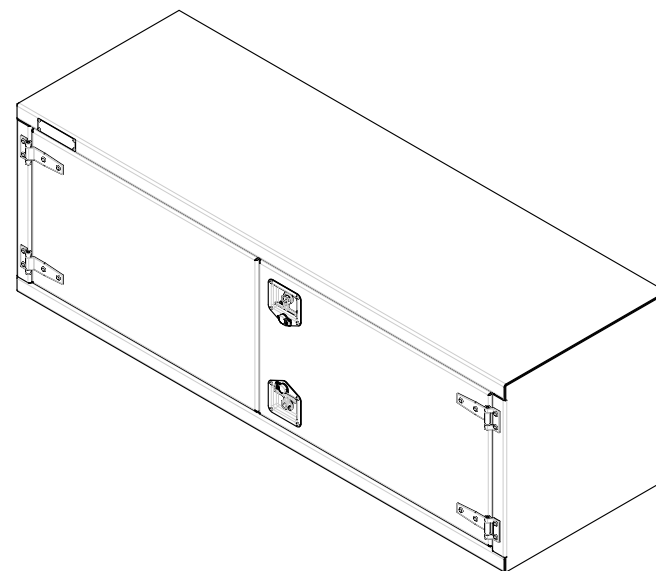
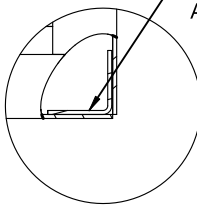
2

1

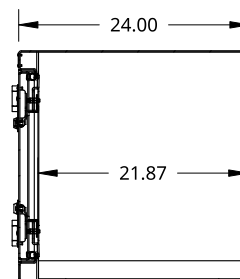
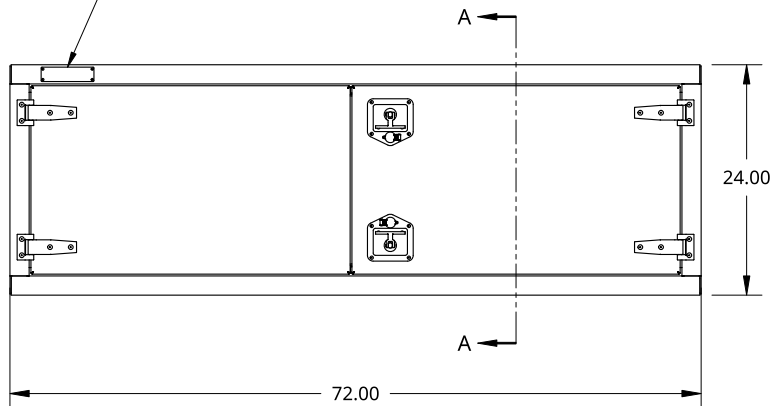
RECESSED DOOR FRAME INNER GUSSET - 2IN TOP FRAME X 2IN SIDE FRAME



INNER REINFORCEMENT  
ANGLE BOTH SIDES



SMALL SIZE TREBOR NAME PLATE



SECTION A - A

THIS DOCUMENT IS THE PROPERTY OF TREBOR  
MANUFACTURING. ANY UNAUTHORIZED REPRODUCTION  
WILL BE PROSECUTED TO THE FULL EXTENT OF THE LAW



PART NO. **TRPL2472** REV. **A**

UNLESS OTHERWISE SPECIFIED,  
DIMENSIONS ARE IN INCHES

.XX = ±.1-  
.XXX = ±.015- ANGULAR = ±1°  
.XXXX = ±.005- FRACTIONAL = ±1/8

DRAWN BY	SHAWN CROCKER	09/29/2021
CHANGED BY	SHAWN CROCKER	02/28/2023

TWO DOOR RECESSED DOOR TOOL BOX - 24 X 24 X 72 - T-HANDLE -  
OPEN RIGHT

THIRD ANGLE PROJECTION



MATERIAL

1/8 ALU MILL

SIZE **A** DWG NO. **D25850** REV. **A**

SCALE	1:20	WEIGHT	116.49 LB	SHEET	1 of 1
-------	------	--------	-----------	-------	--------

2

1

B

B

A

A