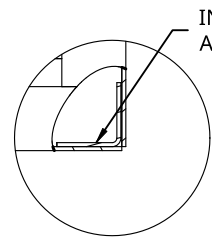
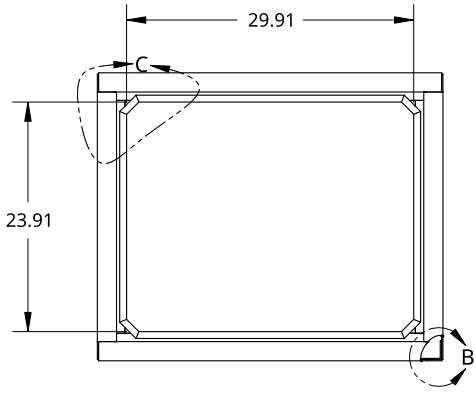
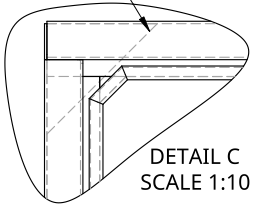


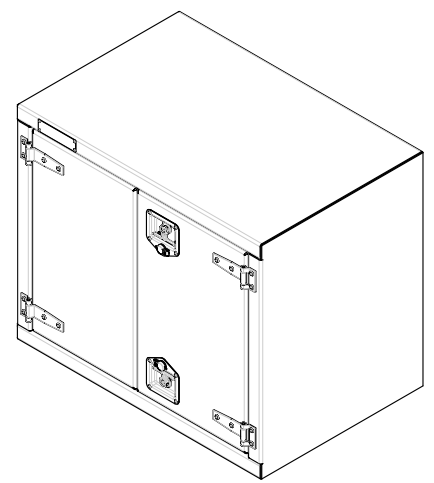
2

1

RECESSED DOOR FRAME INNER GUSSET - 2IN TOP FRAME X 2IN SIDE FRAME



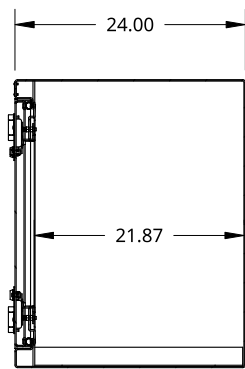
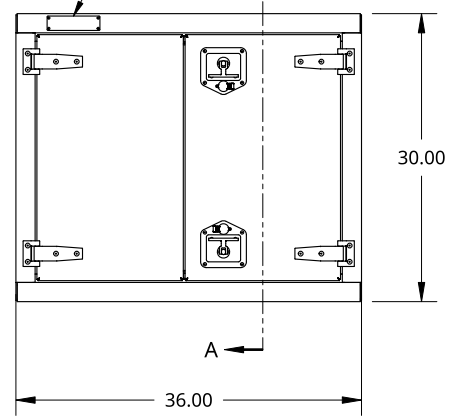
DETAIL B  
SCALE 1:6



B

B

SMALL SIZE TREBOR NAME PLATE



SECTION A - A

A

A

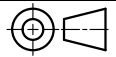
THIS DOCUMENT IS THE PROPERTY OF TREBOR MANUFACTURING. ANY UNAUTHORIZED REPRODUCTION WILL BE PROSECUTED TO THE FULL EXTENT OF THE LAW

UNLESS OTHERWISE SPECIFIED, DIMENSIONS ARE IN INCHES

.XX = ±.1-  
 .XXX = ±.015-  
 .XXXX = ±.005-

ANGULAR = ±1°  
 FRACTIONAL = ±1/8

THIRD ANGLE PROJECTION



DRAWN BY	SHAWN CROCKER	09/29/2021
CHANGED BY	SHAWN CROCKER	02/28/2023

MATERIAL

1/8 ALU MILL

PART NO. TRPL3036

REV. A1

TWO DOOR RECESSED DOOR TOOL BOX - 24 X 30 X 36 - T-HANDLE - OPEN RIGHT

SIZE A	DWG NO. D25851	REV. A
--------	----------------	--------

SCALE 1:20	WEIGHT 80.41 LB	SHEET 1 of 1
------------	-----------------	--------------

2

1