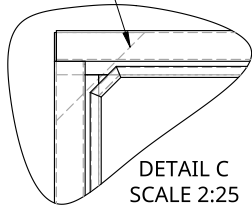


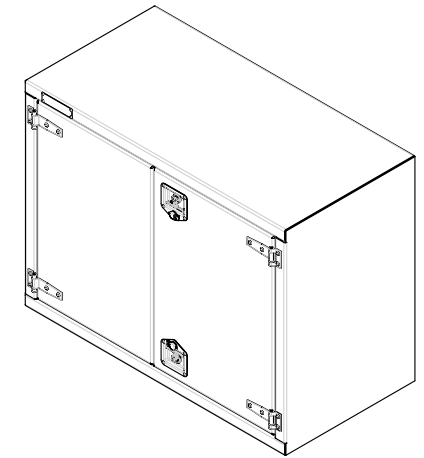
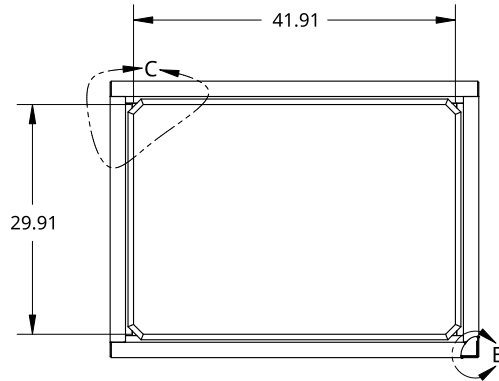
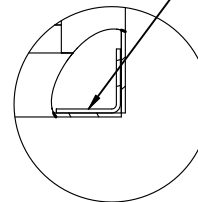
2

1

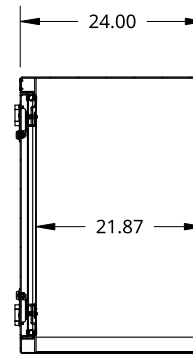
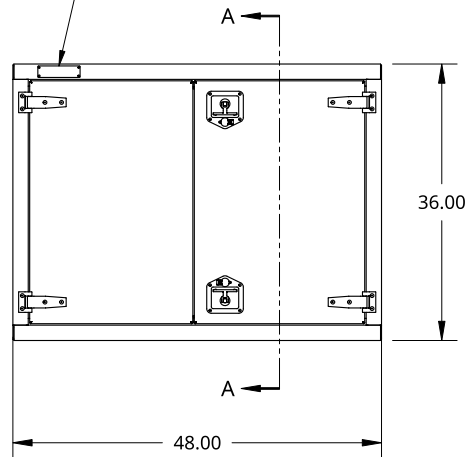
RECESSED DOOR FRAME INNER GUSSET - 2IN TOP FRAME X 2IN SIDE FRAME



INNER REINFORCEMENT  
ANGLE BOTH SIDES



SMALL SIZE TREBOR NAME PLATE

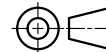


THIS DOCUMENT IS THE PROPERTY OF TREBOR  
MANUFACTURING. ANY UNAUTHORIZED REPRODUCTION  
WILL BE PROSECUTED TO THE FULL EXTENT OF THE LAW

UNLESS OTHERWISE SPECIFIED,  
DIMENSIONS ARE IN INCHES

.XX = ±.1-  
.XXX = ±.015- ANGULAR = ±1°  
.XXXX = ±.005- FRACTIONAL = ±1/8

THIRD ANGLE PROJECTION



DRAWN BY	SHAWN CROCKER	09/29/2021
CHANGED BY	SHAWN CROCKER	02/28/2023

MATERIAL  
1/8 ALU MILL

PART NO. TRPL3648 REV. A

TWO DOOR RECESSED DOOR TOOL BOX - 24 X 36 X 48 - T-HANDLE - OPEN RIGHT

SIZE A DWG NO. D25856 REV. A

SCALE 1:25	WEIGHT 109.59 LB	SHEET 1 of 1
------------	------------------	--------------

2

1

B

B

A

A