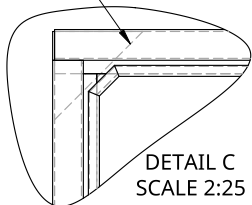


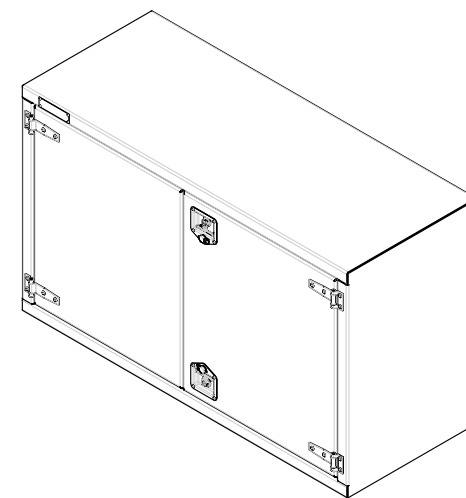
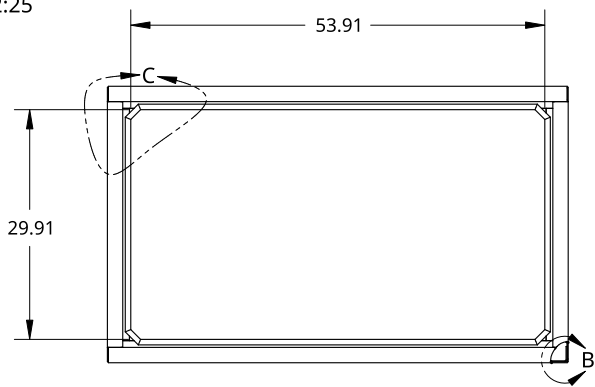
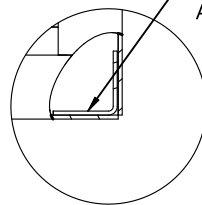
2

1

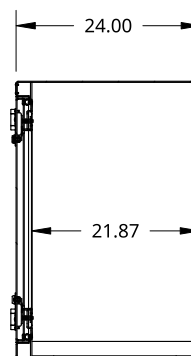
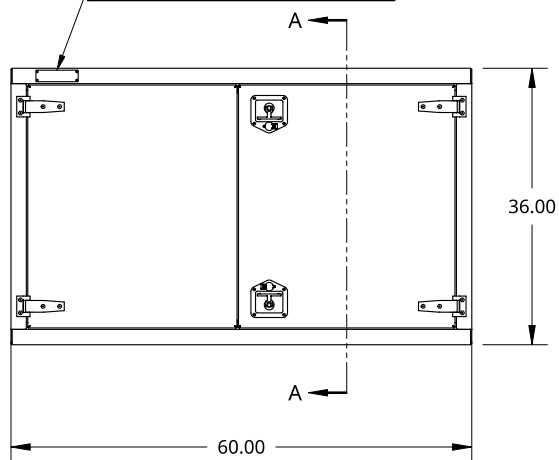
RECESSED DOOR FRAME INNER GUSSET - 2IN TOP FRAME X 2IN SIDE FRAME



INNER REINFORCEMENT  
ANGLE BOTH SIDES



SMALL SIZE TREBOR NAME PLATE



SECTION A - A

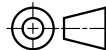
THIS DOCUMENT IS THE PROPERTY OF TREBOR  
MANUFACTURING. ANY UNAUTHORIZED REPRODUCTION  
WILL BE PROSECUTED TO THE FULL EXTENT OF THE LAW



UNLESS OTHERWISE SPECIFIED,  
DIMENSIONS ARE IN INCHES

.XX = ±.1-  
.XXX = ±.015- ANGULAR = ±1°  
.XXXX = ±.005- FRACTIONAL = ±1/8

THIRD ANGLE PROJECTION



DRAWN BY	SHAWN CROCKER	09/29/2021
CHANGED BY	SHAWN CROCKER	02/28/2023

MATERIAL

1/8 ALU MILL

PART NO. TRPL3660 REV. A

TWO DOOR RECESSED DOOR TOOL BOX - 24 X 36 X 60 - T-HANDLE -  
OPEN RIGHT

SIZE A DWG NO. D25857 REV. A

SCALE 1:25	WEIGHT 128.81 LB	SHEET 1 of 1
------------	------------------	--------------

2

1

B

B

A

A