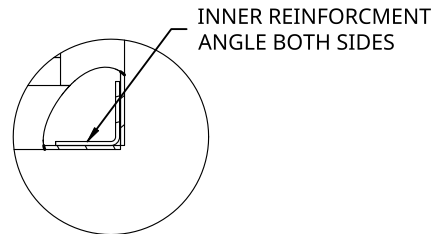
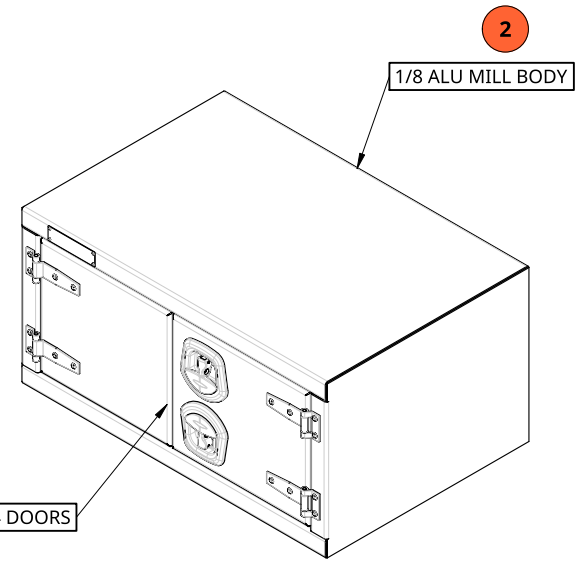
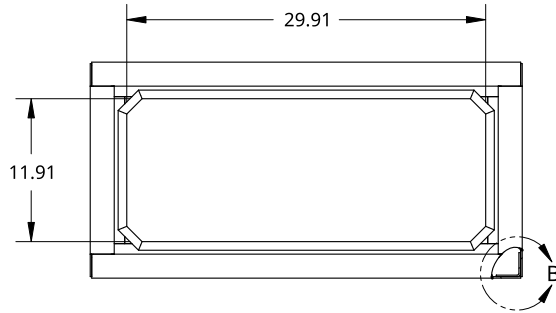


2

1

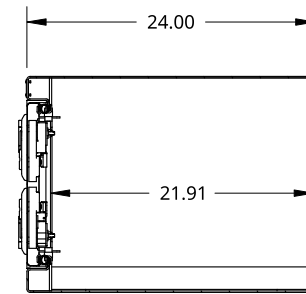
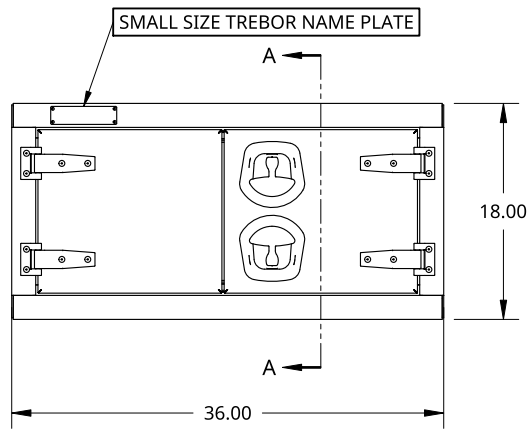


DETAIL B  
SCALE 1:6



1  
18G SS MIRROR 304 DOORS

2  
1/8 ALU MILL BODY



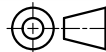
SECTION A - A

THIS DOCUMENT IS THE PROPERTY OF TREBOR MANUFACTURING. ANY UNAUTHORIZED REPRODUCTION WILL BE PROSECUTED TO THE FULL EXTENT OF THE LAW

UNLESS OTHERWISE SPECIFIED, DIMENSIONS ARE IN INCHES

.XX = ±.1-  
.XXX = ±.015- ANGULAR = ±1°  
.XXXX = ±.005- FRACTIONAL = ±1/8

THIRD ANGLE PROJECTION



DRAWN BY	SHAWN CROCKER	08/02/2021
CHANGED BY	SHAWN CROCKER	04/03/2023

MATERIAL  
MIXED MATERIAL

PART NO.	TRPLSS1836WT	REV.	A
----------	--------------	------	---

TWO DOOR RECESSED DOOR TOOL BOX - 24 X 18 X 36 - 18G SS MIRROR DOORS - WHALE TAIL - OPEN RIGHT

SIZE	A	DWG NO.	D27834	REV.	A
SCALE	1:16	WEIGHT	68.35 LB	SHEET	1 of 1

2

1

B

B

A

A