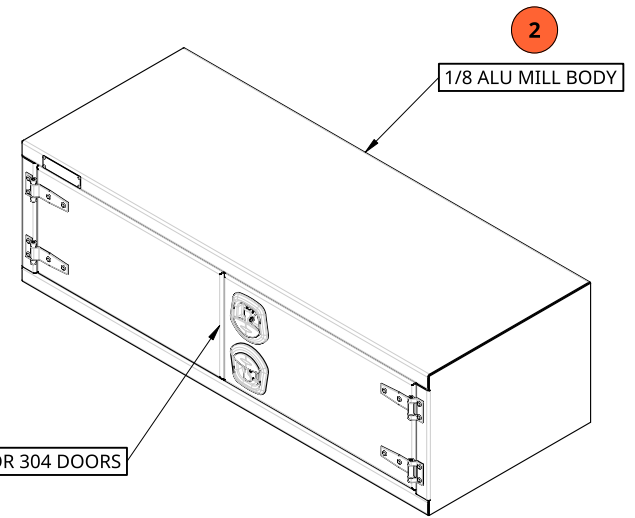
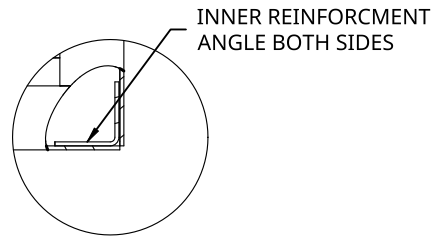
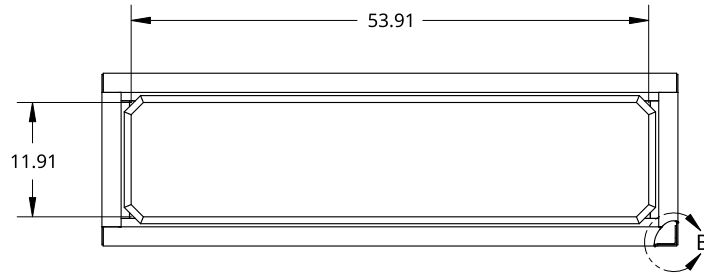


2

1

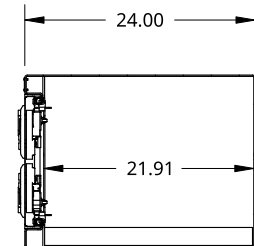
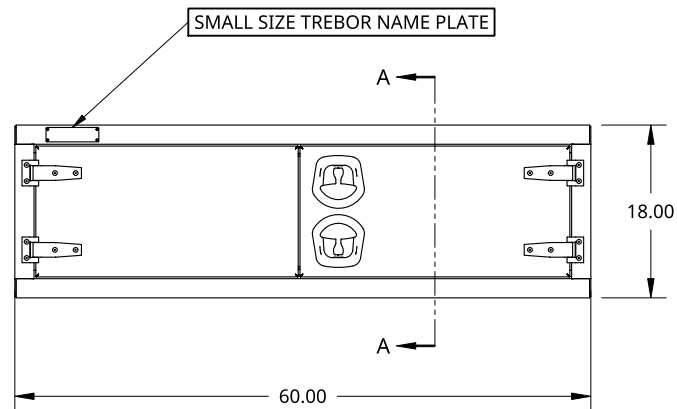
B

B



A

A

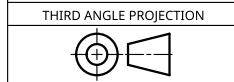


THIS DOCUMENT IS THE PROPERTY OF TREBOR MANUFACTURING. ANY UNAUTHORIZED REPRODUCTION WILL BE PROSECUTED TO THE FULL EXTENT OF THE LAW



UNLESS OTHERWISE SPECIFIED, DIMENSIONS ARE IN INCHES  
 .XX = ±.1-  
 .XXX = ±.015-  
 .XXXX = ±.005-  
 ANGULAR = ±1°  
 FRACTIONAL = ±1/8

DRAWN BY	SHAWN CROCKER	09/29/2021
CHANGED BY	SHAWN CROCKER	04/03/2023



MATERIAL  
MIXED MATERIAL

PART NO.		TRPLSS1860WT		REV.	A
TWO DOOR RECESSED DOOR TOOL BOX - 24 X 18 X 60 - 18G SS MIRROR DOORS - WHALE TAIL - OPEN RIGHT					
SIZE	DWG. NO.		REV.		
A	D27840		A		
SCALE	1:20	WEIGHT	96.54 LB	SHEET	1 of 1

2

1