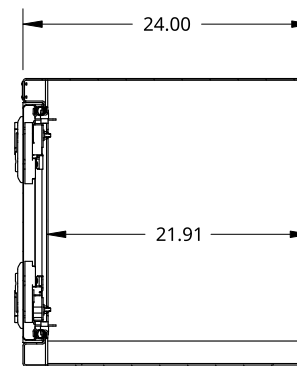
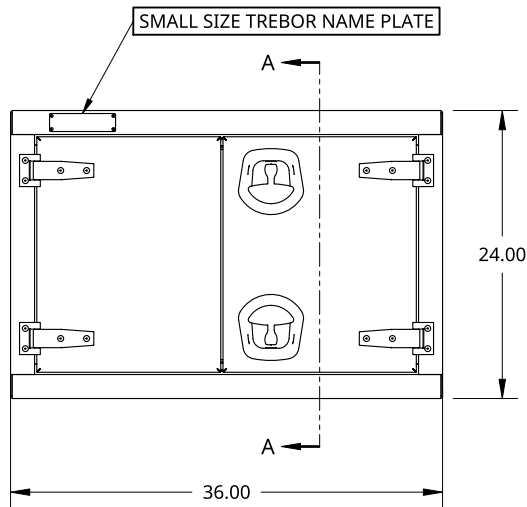
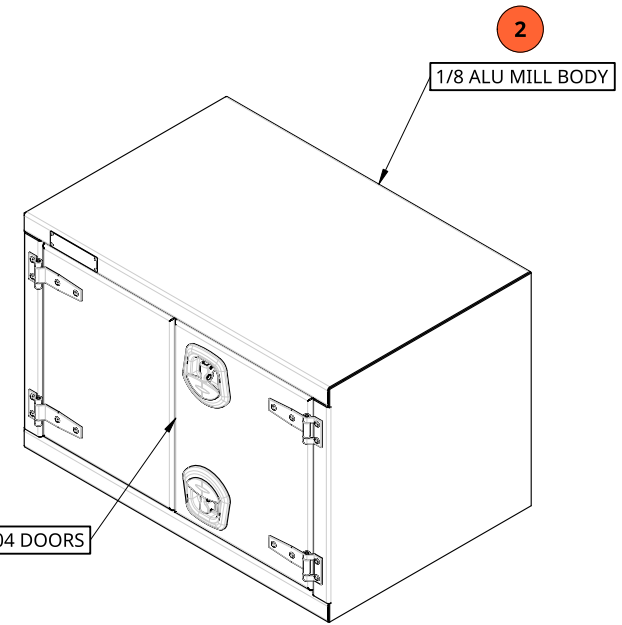
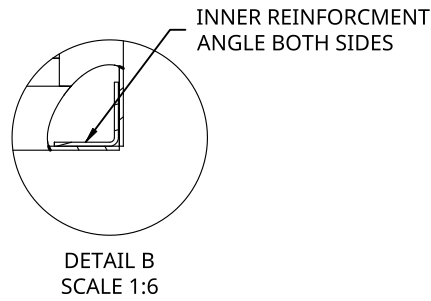
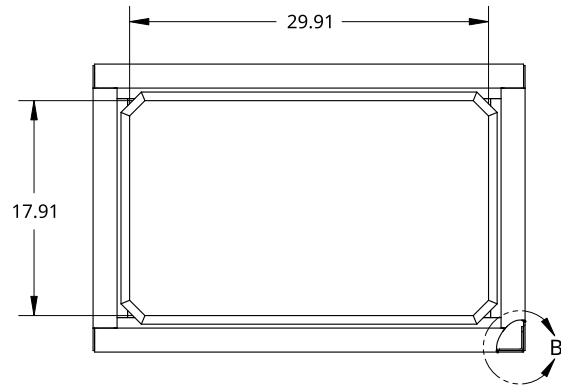


2

1



SECTION A - A

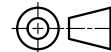
THIS DOCUMENT IS THE PROPERTY OF TREBOR MANUFACTURING. ANY UNAUTHORIZED REPRODUCTION WILL BE PROSECUTED TO THE FULL EXTENT OF THE LAW



UNLESS OTHERWISE SPECIFIED, DIMENSIONS ARE IN INCHES

.XX = ±.1-  
.XXX = ±.015- ANGULAR = ±1°  
.XXXX = ±.005- FRACTIONAL = ±1/8

THIRD ANGLE PROJECTION



MATERIAL

MIXED MATERIAL

PART NO. TRPLSS2436WT REV. A

TWO DOOR RECESSED DOOR TOOL BOX - 24 X 24 X 36 - 18G SS MIRROR DOORS - WHALE TAIL - OPEN RIGHT

SIZE A DWG NO. D27843 REV. A

SCALE 1:16 WEIGHT 78.44 LB SHEET 1 of 1

2

1