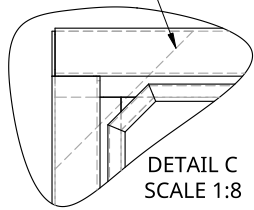


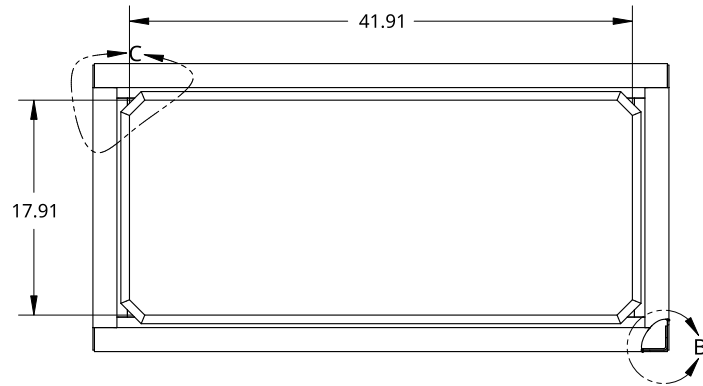
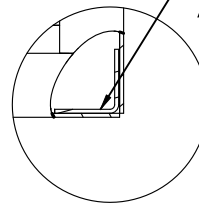
2

1

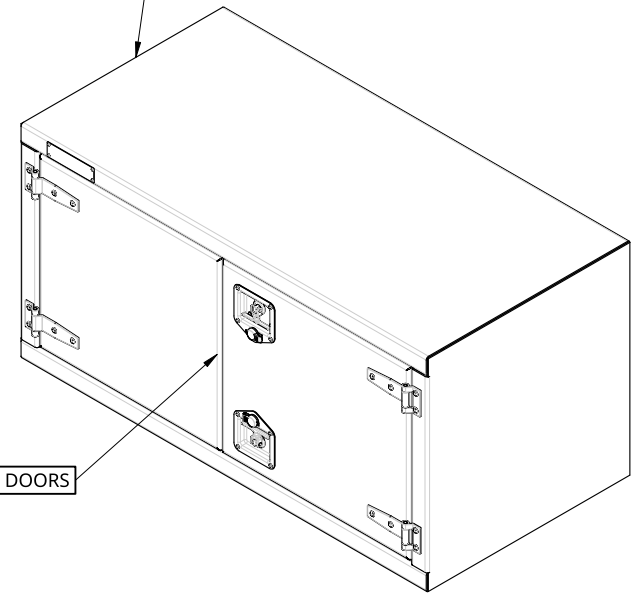
RECESSED DOOR FRAME INNER GUSSET - 2IN TOP FRAME X 2IN SIDE FRAME



INNER REINFORCEMENT  
ANGLE BOTH SIDES

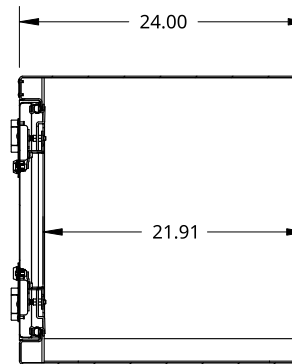
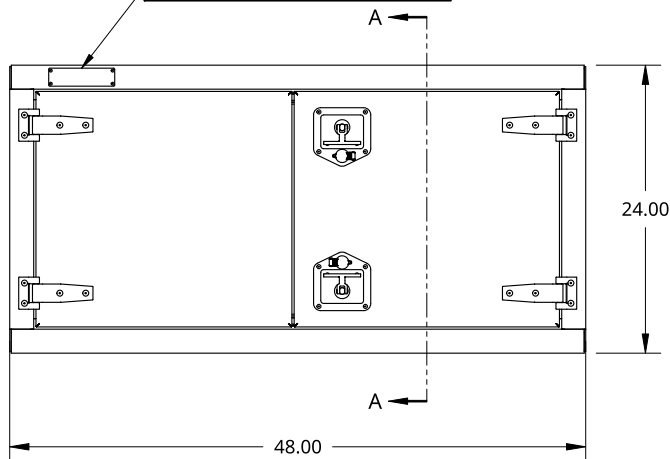


1/8 ALU MILL BOX BODY



2  
18G SS MIRROR 304 DOORS

SMALL SIZE TREBOR NAME PLATE



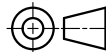
SECTION A - A

THIS DOCUMENT IS THE PROPERTY OF TREBOR  
MANUFACTURING. ANY UNAUTHORIZED REPRODUCTION  
WILL BE PROSECUTED TO THE FULL EXTENT OF THE LAW

UNLESS OTHERWISE SPECIFIED,  
DIMENSIONS ARE IN INCHES

.XX = ±.1-  
.XXX = ±.015- ANGULAR = ±1°  
.XXXX = ±.005- FRACTIONAL = ±1/8

THIRD ANGLE PROJECTION



DRAWN BY	SHAWN CROCKER	09/29/2021
CHANGED BY	SHAWN CROCKER	02/28/2023

MATERIAL  
1/8 ALU MILL

PART NO. TRPLSS2448 REV. A

TWO DOOR RECESSED DOOR TOOL BOX - 24 X 24 X 48 - 18G SS MIRROR  
DOORS - T-HANDLE - OPEN RIGHT

SIZE A DWG NO. D27087 REV. A

SCALE	1:16	WEIGHT	87.4 LB	SHEET	1 of 1
-------	------	--------	---------	-------	--------

2

1

B

B

A

A