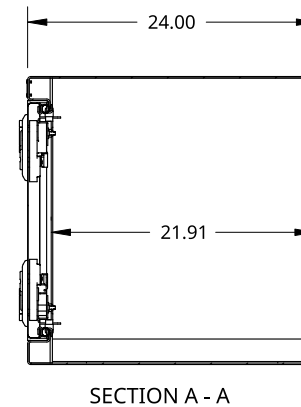
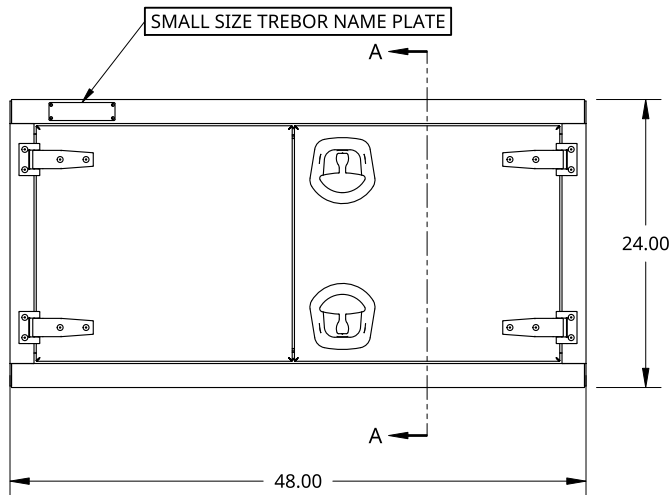
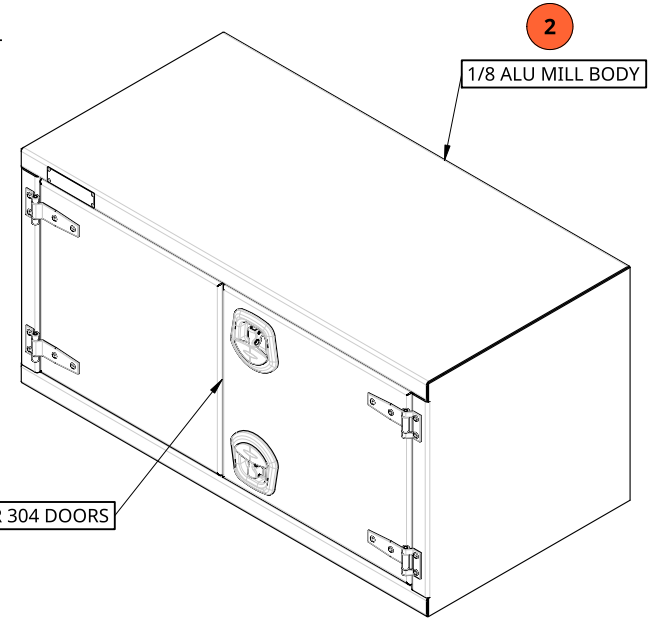
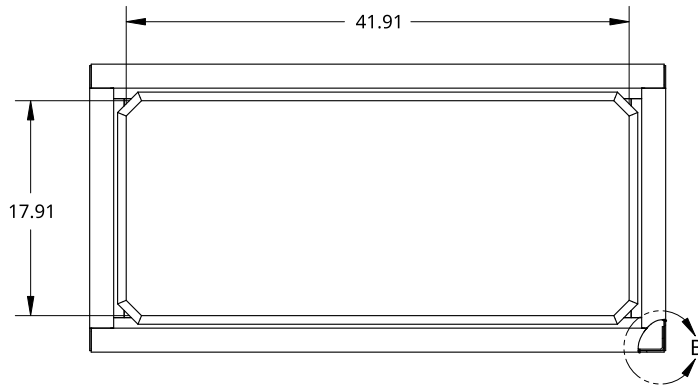


2

1



THIS DOCUMENT IS THE PROPERTY OF TREBOR MANUFACTURING. ANY UNAUTHORIZED REPRODUCTION WILL BE PROSECUTED TO THE FULL EXTENT OF THE LAW

UNLESS OTHERWISE SPECIFIED, DIMENSIONS ARE IN INCHES

.XX = ±.1-
.XXX = ±.015- ANGULAR = ±1°
.XXXX = ±.005- FRACTIONAL = ±1/8

THIRD ANGLE PROJECTION



| | | |
|------------|---------------|------------|
| DRAWN BY | SHAWN CROCKER | 09/29/2021 |
| CHANGED BY | SHAWN CROCKER | 04/03/2023 |

MATERIAL
MIXED MATERIAL

PART NO. TRPLSS2448WT

TWO DOOR RECESSED DOOR TOOL BOX - 24 X 24 X 48 - 18G SS MIRROR DOORS - WHALE TAIL - OPEN RIGHT

SIZE A DWG NO. D27846

SCALE 1:16 WEIGHT 94.35 LB SHEET 1 of 1

2

1