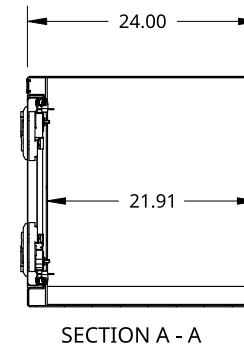
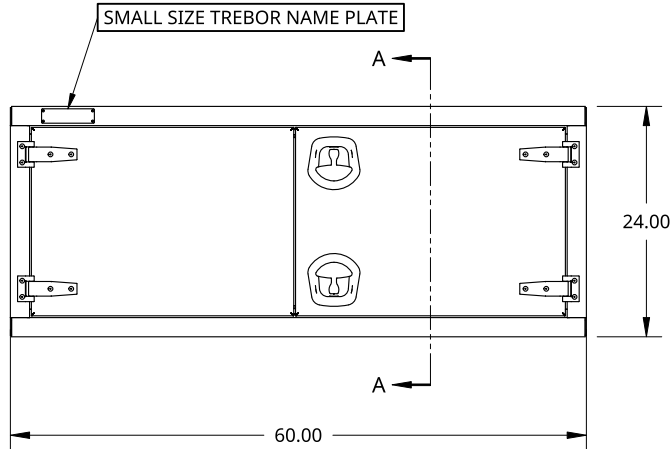
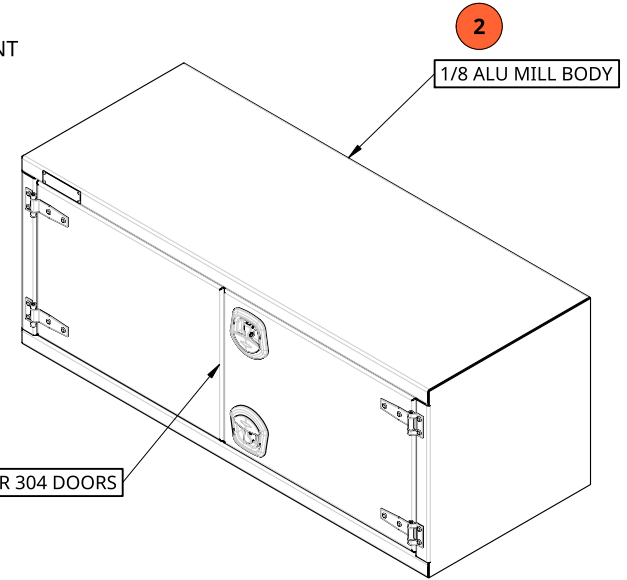
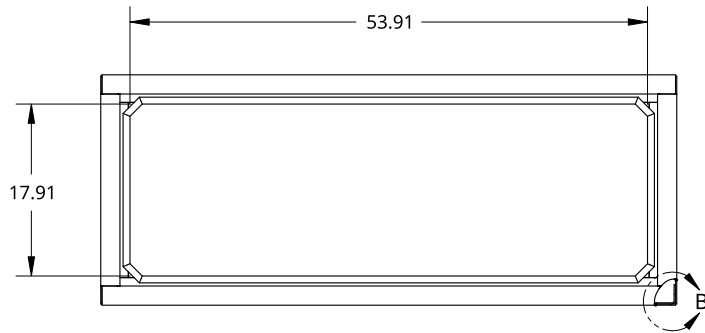


2

1

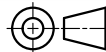


THIS DOCUMENT IS THE PROPERTY OF TREBOR MANUFACTURING. ANY UNAUTHORIZED REPRODUCTION WILL BE PROSECUTED TO THE FULL EXTENT OF THE LAW

UNLESS OTHERWISE SPECIFIED, DIMENSIONS ARE IN INCHES

.XX = ±.1-  
.XXX = ±.015- ANGULAR = ±1°  
.XXXX = ±.005- FRACTIONAL = ±1/8

THIRD ANGLE PROJECTION



DRAWN BY	SHAWN CROCKER	09/29/2021
CHANGED BY	SHAWN CROCKER	04/03/2023

MATERIAL  
MIXED MATERIAL

PART NO.		TRPLSS2460WT		REV.	A
TWO DOOR RECESSED DOOR TOOL BOX - 24 X 24 X 60 - 18G SS MIRROR DOORS - WHALE TAIL - OPEN RIGHT					
SIZE	A		DWG NO.	D27849	
SCALE	1:20	WEIGHT	110.24 LB	SHEET	1 of 1

2

1

B

B

A

A