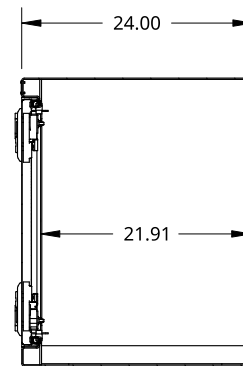
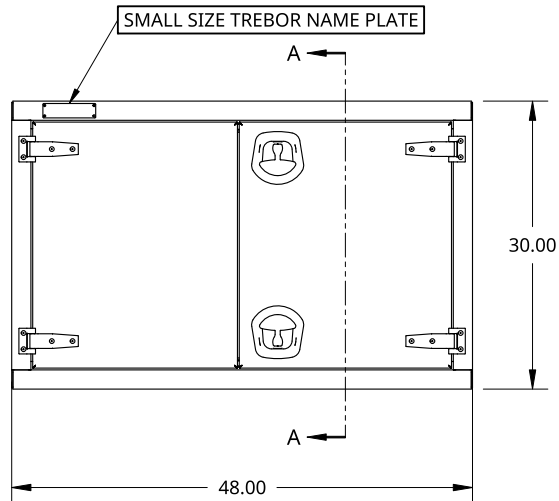
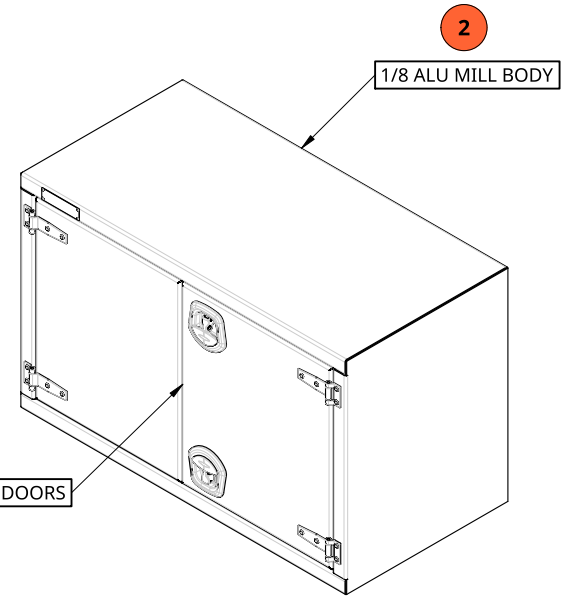
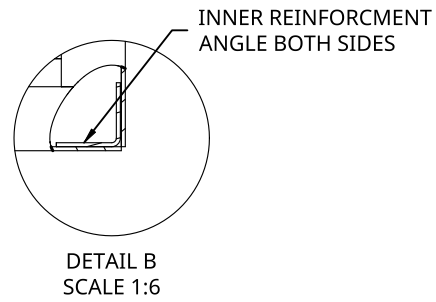
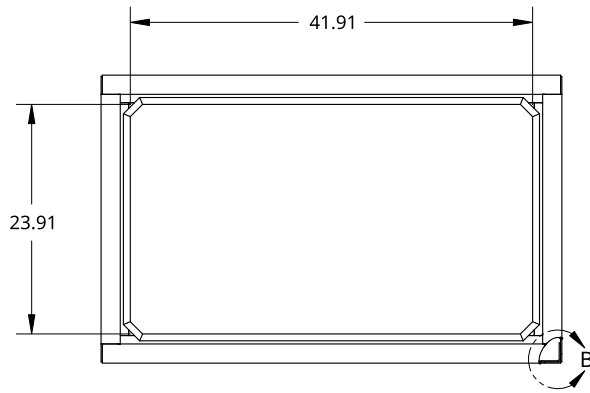


2

1



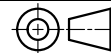
SECTION A - A

THIS DOCUMENT IS THE PROPERTY OF TREBOR MANUFACTURING. ANY UNAUTHORIZED REPRODUCTION WILL BE PROSECUTED TO THE FULL EXTENT OF THE LAW

UNLESS OTHERWISE SPECIFIED, DIMENSIONS ARE IN INCHES

.XX = ±.1-
.XXX = ±.015- ANGULAR = ±1°
.XXXX = ±.005- FRACTIONAL = ±1/8

THIRD ANGLE PROJECTION



DRAWN BY	SHAWN CROCKER	09/29/2021
CHANGED BY	SHAWN CROCKER	04/03/2023

MATERIAL
MIXED MATERIAL

PART NO.	TRPLSS3048WT	REV.	A
----------	--------------	------	---

TWO DOOR RECESSED DOOR TOOL BOX - 24 X 30 X 48 - 18G SS MIRROR DOORS - WHALE TAIL - OPEN RIGHT

SIZE	A	DWG NO.	D27858	REV.	A
SCALE	1:20	WEIGHT	106.24 LB	SHEET	1 of 1

2

1