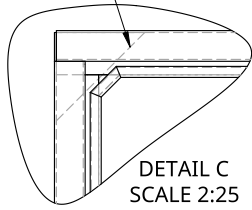


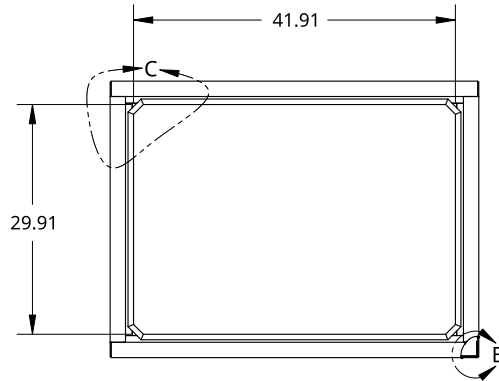
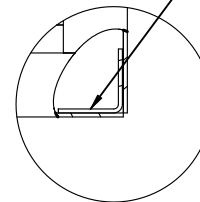
2

1

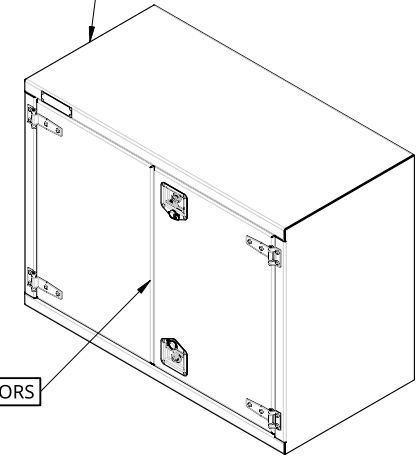
RECESSED DOOR FRAME INNER GUSSET - 2IN TOP FRAME X 2IN SIDE FRAME



INNER REINFORCEMENT ANGLE BOTH SIDES

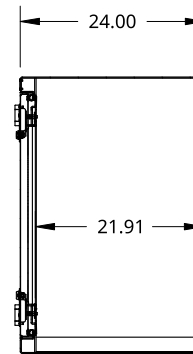
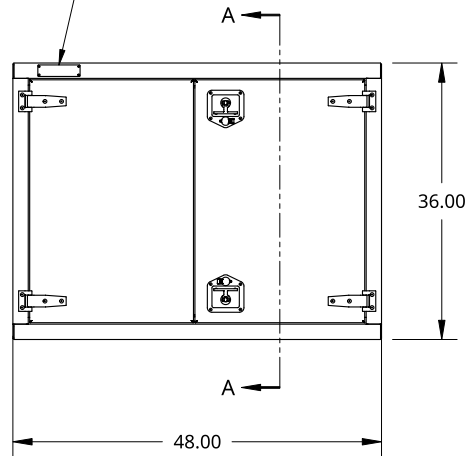


1/8 ALU MILL BOX BODY



18G SS MIRROR 304 DOORS

SMALL SIZE TREBOR NAME PLATE



SECTION A - A

THIS DOCUMENT IS THE PROPERTY OF TREBOR MANUFACTURING. ANY UNAUTHORIZED REPRODUCTION WILL BE PROSECUTED TO THE FULL EXTENT OF THE LAW



PART NO. TRPLSS3648 REV. A

UNLESS OTHERWISE SPECIFIED, DIMENSIONS ARE IN INCHES

.XX = ±.1-
.XXX = ±.015- ANGULAR = ±1°
.XXXX = ±.005- FRACTIONAL = ±1/8

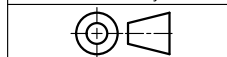
DRAWN BY	SHAWN CROCKER	09/29/2021
CHANGED BY	SHAWN CROCKER	02/28/2023

TWO DOOR RECESSED DOOR TOOL BOX - 24 X 36 X 48 - 18G SS MIRROR DOORS - T-HANDLE - OPEN RIGHT

THIRD ANGLE PROJECTION

MATERIAL

SIZE A DWG NO. D27095 REV. A



1/8 ALU MILL

SCALE 1:25	WEIGHT 111.2 LB	SHEET 1 of 1
------------	-----------------	--------------

2

1

B

B

A

A