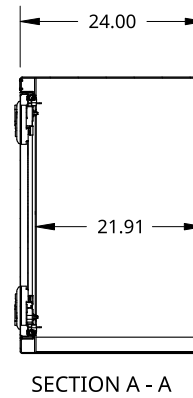
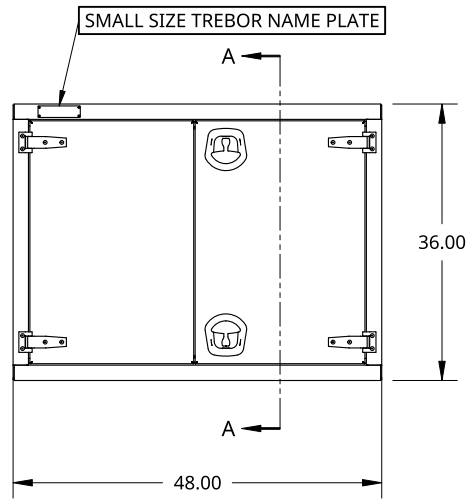
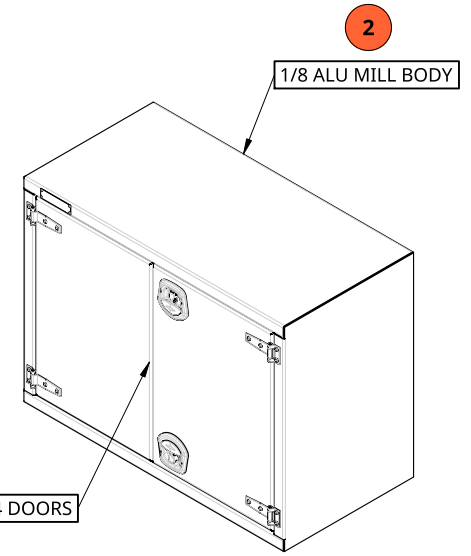
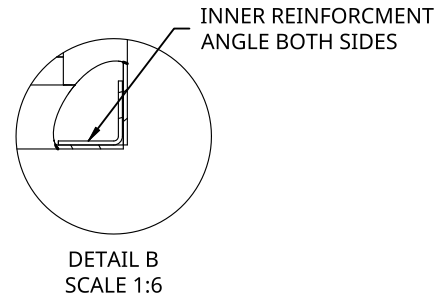
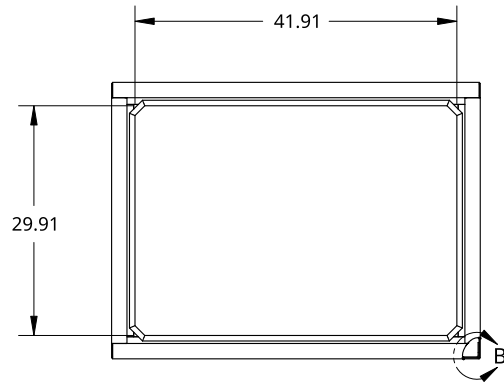


2

1

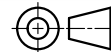


THIS DOCUMENT IS THE PROPERTY OF TREBOR MANUFACTURING. ANY UNAUTHORIZED REPRODUCTION WILL BE PROSECUTED TO THE FULL EXTENT OF THE LAW

UNLESS OTHERWISE SPECIFIED, DIMENSIONS ARE IN INCHES

.XX = ±.1-
.XXX = ±.015- ANGULAR = ±1°
.XXXX = ±.005- FRACTIONAL = ±1/8

THIRD ANGLE PROJECTION



| | | |
|------------|---------------|------------|
| DRAWN BY | SHAWN CROCKER | 09/29/2021 |
| CHANGED BY | SHAWN CROCKER | 04/03/2023 |

MATERIAL
MIXED MATERIAL

| | | | |
|----------|--------------|------|---|
| PART NO. | TRPLSS3648WT | REV. | A |
|----------|--------------|------|---|

TWO DOOR RECESSED DOOR TOOL BOX - 24 X 36 X 48 - 18G SS MIRROR DOORS - WHALE TAIL - OPEN RIGHT

| | | | | | |
|-------|------|---------|-----------|-------|--------|
| SIZE | A | DWG NO. | D27870 | REV. | A |
| SCALE | 1:25 | WEIGHT | 118.15 LB | SHEET | 1 of 1 |

2

1

B

B

A

A